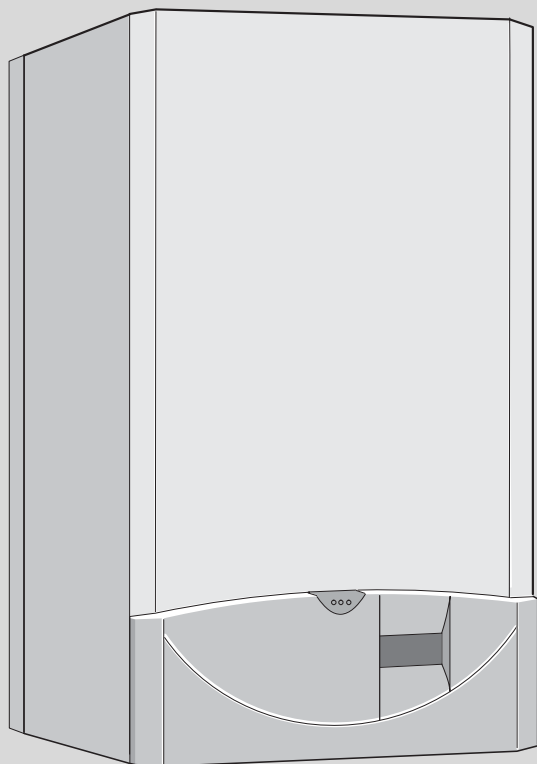


# Installation and Servicing Instructions

## RD 430i



Wall mounted condensing boiler for central heating



6 720 610 893-01.TD

**ZSBR 7-30 RD 430i** GC-Number: 41 108 06

**benchmark**

6 720 611 449 GB (03.11) TD

**British Gas** 

**Scottish Gas** 

<b>Safety precautions</b>	<b>3</b>
<b>Symbols</b>	<b>3</b>
<b>1 Details of the appliance</b>	<b>4</b>
1.1 EC Declaration of Conformity	4
1.2 Standard package	4
1.3 Description of appliance	4
1.4 Accessories	5
1.5 Casing dimensions	5
1.6 Layout of appliance	6
1.7 Function	7
1.8 Electrical wiring diagram	8
1.9 Technical data	9
<b>2 Installation regulations</b>	<b>10</b>
<b>3 Installation</b>	<b>11</b>
3.1 Important remarks	11
3.2 Sealed systems	11
3.3 Siting the appliance	13
3.4 Wall mounting frame assembly	14
3.5 Pre-piping the system	14
3.6 Fitting the appliance	15
3.7 Checking the connections	16
3.8 Flue Systems	16
3.8.1 Siting the Flue Terminal	17
3.8.2 Installation of the flue	18
3.8.3 Flue duct preparation and assembly	20
<b>4 Electrical connections</b>	<b>21</b>
4.1 Connecting the appliance	21
4.2 Connecting TR2 Room thermostat	22
4.3 Mains Voltage external controls connections	22
4.4 Connecting a Hot Water Cylinder	22
<b>5 Commissioning</b>	<b>23</b>
5.1 Commissioning	23
5.2 Switching the appliance on/off	24
5.3 Switching on the central heating	24
5.4 System controls	24
5.5 Appliances with Storage Tank: Setting hot water temperature	25
5.6 Summer mode, hot water only	25
5.7 Frost protection	25
5.8 Pump anti-seize function	25
5.9 Fault Condition	25
5.10 Appliance Data Monitoring	26
<b>6 Text Display</b>	<b>27</b>
6.1 General Description	27
6.2 Programming	27
6.2.1 Deleting a setting	28
6.2.2 Resetting all parameters to original settings	28
6.3 Menu structure	28
6.4 Setting the time/day	29
6.4.1 Setting the time and day	29
6.4.2 Holidays	29
6.5 Heating	29
6.5.1 Heating programme	29
6.5.2 Setting the Economy temperature (TR2 connected)	29

6.5.3 Manual operating mode (TR2 not connected)	30
6.6 Hot water	30
6.6.1 Hot water programme	30
6.6.2 Hot water immediately	30
6.7 i Info	30
6.8 Settings	31
6.8.1 Heating (if TR 2 is connected)	31
6.8.2 Hot Water Storage Tank	31
6.8.3 Service	31
6.9 Individual timer programmes	31

<b>7 Individual settings</b>	<b>32</b>
7.1 Mechanical settings	32
7.1.1 Checking the size of the expansion vessel	32
7.1.2 Setting the central heating flow temperature	32
7.2 Settings on the Bosch Heatronic	32
7.2.1 General description	32
7.2.2 Setting the anti-cycle time (Service Function 2.4)	33
7.2.3 Setting the maximum CH flow temperature (Service Function 2.5)	33
7.2.4 Setting the heating output (Service Function 5.0)	33
7.2.5 Variable pump settings (Service Function 7.0)	33
7.3 Setting the gas/air ratio	33

<b>8 Converting the appliance to different gas types</b>	<b>34</b>
8.1 Setting the gas/air ratio	34
8.2 Testing combustion air/flue gas at set heat output	35
8.2.1 Testing the O <sub>2</sub> or CO <sub>2</sub> level in the combustion air	35
8.2.2 Testing CO and CO <sub>2</sub>	35

<b>9 Maintenance</b>	<b>36</b>
9.1 Pre-Service Check List	37
9.2 Description of servicing operations	38
9.3 Replacement of Parts	41
9.3.1 PCB control board and transformer	41
9.3.2 Fan Assembly	42
9.3.3 Pump	42
9.3.4 3-way diverter valve	42
9.3.5 3-way diverter valve motor	43
9.3.6 Sensors	43
9.3.7 Gas Valve	43
9.3.8 Electrode assembly	44
9.3.9 Pressure gauge	44
9.3.10 Expansion vessel	44
9.3.11 Pressure Relief Valve	44
9.3.12 Burner	44
9.3.13 Primary Heat Exchanger	44

<b>10 Appendix</b>	<b>45</b>
10.1 Fault Codes	45
10.2 Short parts list	46
10.3 Heating/hot water output settings N.G.	46
10.4 Heating/hot water output settings L.P.G	46
10.5 Operational Flow diagrams	47
10.5.1 Central heating function	47

## Safety precautions

### If you smell gas

- ▶ Turn off gas service cock at the meter.
- ▶ Open windows and doors.
- ▶ Do not operate any electrical switches.
- ▶ Extinguish any naked flames.
- ▶ Telephone your gas company.

### If you smell fumes from the appliance

- ▶ Switch off appliance (see page 24).
- ▶ Open windows and doors.

### Fitting and modifications

- ▶ Fitting of the appliance or any controls to the appliance may only be carried out by a competent engineer in accordance with the Gas Safety (Installation and Use) Regulations 1998.
- ▶ Flue systems must not be modified in any ways other than as described in the fitting instructions.
- ▶ This appliance is for use on sealed primary systems only.

### Maintenance

- ▶ **The user is recommended:** to have the system regularly serviced in order to ensure that it functions reliably and safely.
- ▶ Use only original spare parts!

### Combustible materials

- ▶ Do not store or use any combustible materials (paper, thinners, paints etc.) in the vicinity of the appliance.

### Health and safety

- ▶ This appliance contains no asbestos products.
- ▶ There is no potential hazard due to the appliance being electrically unsafe.
- ▶ There are no substances used in the construction that are a potential hazard in relation to the COSHH Regulations (Control of Substances Hazardous to Health Regulations 1988).

### Combustion air/Ambient atmosphere

- ▶ The combustion air/ambient atmosphere should be kept free of chemically aggressive substances (e.g. halogenated hydrocarbons which contain chlorine or fluorine compounds). This will prevent corrosion.

### Instructions to the customer

- ▶ Explain to the customer how the appliance works and how to operate it.
- ▶ Advise the user that he/she must not make any modifications to the appliance or carry out any repairs on it.
- ▶ These instructions are to be left with the user or at the Gas meter.
- ▶ Important: These instructions apply in the UK only.

## Unpacking

### IMPORTANT HANDLING INSTRUCTIONS

- ▶ Two people should transfer the packaged appliance from the van to the point of installation
- ▶ Open the top of the carton, remove and place the component tray and both side bars of the wall mounting frame to one side
- ▶ Lie the packaged appliance on its back. (The back has "TRUCK HERE" printed on the carton)
- ▶ One person firmly holds the packaging while the other straddles the boiler and slides it from the packaging
- ▶ Two persons are then required to lift one end and stand the appliance upright with the flue at the top

### Additional requirements for roof space installation

- ▶ Two people should use two step ladders and share lifting the unpacked boiler up to the loft hatch
- ▶ Where the boiler enters the loft space, tilt and slide the boiler on its back to the point of installation

Check the contents against the packing list.

## Symbols



**Safety instructions** in this document are identified by a warning-triangle symbol and are printed on a grey background.



**Notes** containing important information are identified by the symbol shown on the left. They are bordered by horizontal lines above and below the text.

## 1 Details of the appliance

### 1.1 EC Declaration of Conformity

This appliance is in accordance with the applicable requirements of the Gas Appliance Directive, Boiler Efficiency Directive, Electromagnetic Compatibility Directive and the Low Voltage Directive.

<b>PIN</b>	CE-0085 BL0507
<b>Category UK</b>	II <sub>2H</sub> 3P
<b>Appliance Type</b>	C <sub>13</sub> , C <sub>33</sub>

Table 1

### 1.2 Standard package

- Gas condensing boiler for central heating and domestic hot water
- Control panel cover
- Wall mounting frame
- Fixings (screws etc.)
- Set of documentation for appliance
- Pre-plumbing manifold
- Condensate drain pipe
- Room thermostat TR2
- Sensor for Hot Water Cylinder.

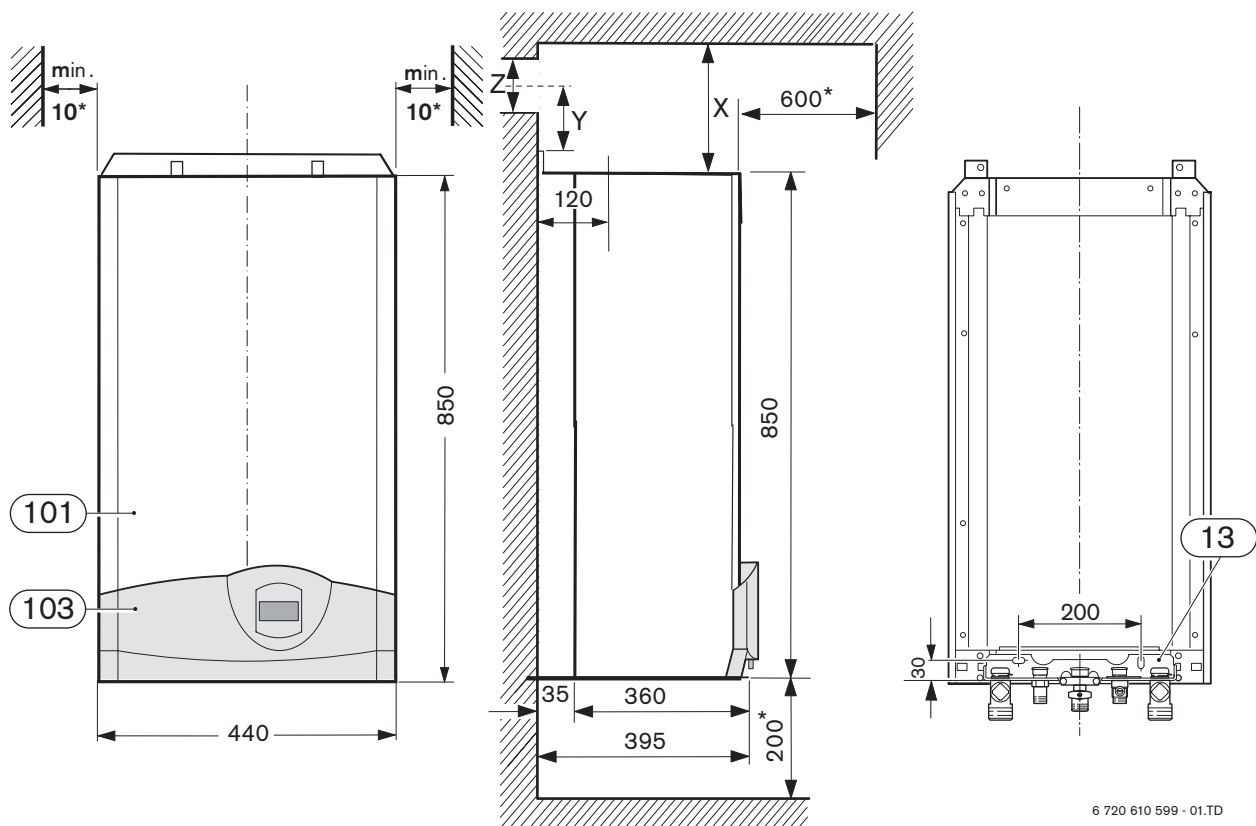
### 1.3 Description of appliance

- Wall-mounted appliance, siting not dependent on room size
- Natural gas models are low-emission appliances
- Multifunction display
- Bosch Heatronic control system with integrated textdisplay for servicefunctions and faults
- 3-channel - digital timer for one heating circuit
- Variable pump
- Automatic ignition
- Modulating control
- Full safety systems incorporating Bosch Heatronic with flame ionisation monitoring, solenoid valves and temperature sensors
- Concentric flue/air duct with testing point for CO<sub>2</sub>/CO
- Regulated speed fan
- Pre-mix burner
- Temperature control for central heating
- Safety temperature limiter in 24 V electrical circuit
- Relief valve, pressure gauge, expansion vessel, automatic air vent
- Flue gas temperature limiter (105 °C)
- Hot water priority circuit
- Motorised 3-way valve
- Condensate Trap.

## 1.4 Accessories

- Standard horizontal flue kit at 100 mm outside diameter for flues upto 4 m in length.
- Flue duct kits for horizontal (125 mm outside diameter) for flue lengths upto 13 m and vertical flue systems for flue lengths 13.7 m. Fitting instructions are sent with these kits.
- Heating programmer,
- Security kit.

## 1.5 Casing dimensions

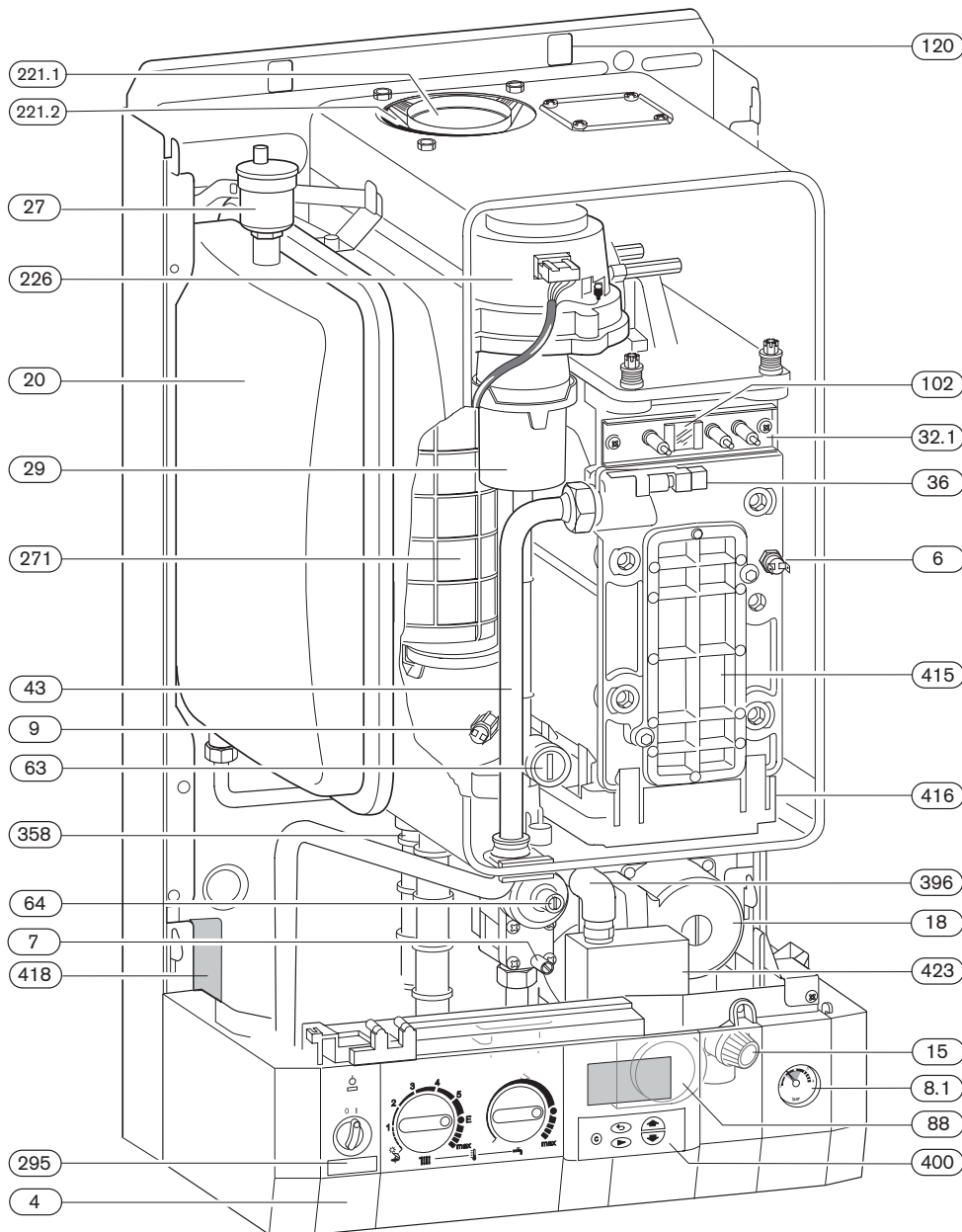


6 720 610 599 - 01.TD

Fig. 1

- 13** Manifold assembly  
**101** Outer case  
**103** Facia cover  
**X** Standard Concentric Horizontal Flue System: min. 160 mm  
 Alternative Concentric Flue System: min. 250 mm  
**Y** Standard Concentric Horizontal Flue System: 40 mm  
 Alternative Concentric Flue System: 70 mm  
**Z** Standard Concentric Horizontal Flue System: 105 mm  
 Alternative Concentric Flue System: 130 mm  
 \* For servicing the appliance  
**Note:** Horizontal flue only: dimension X may need to increase due to the incline of the flue.

## 1.6 Layout of appliance

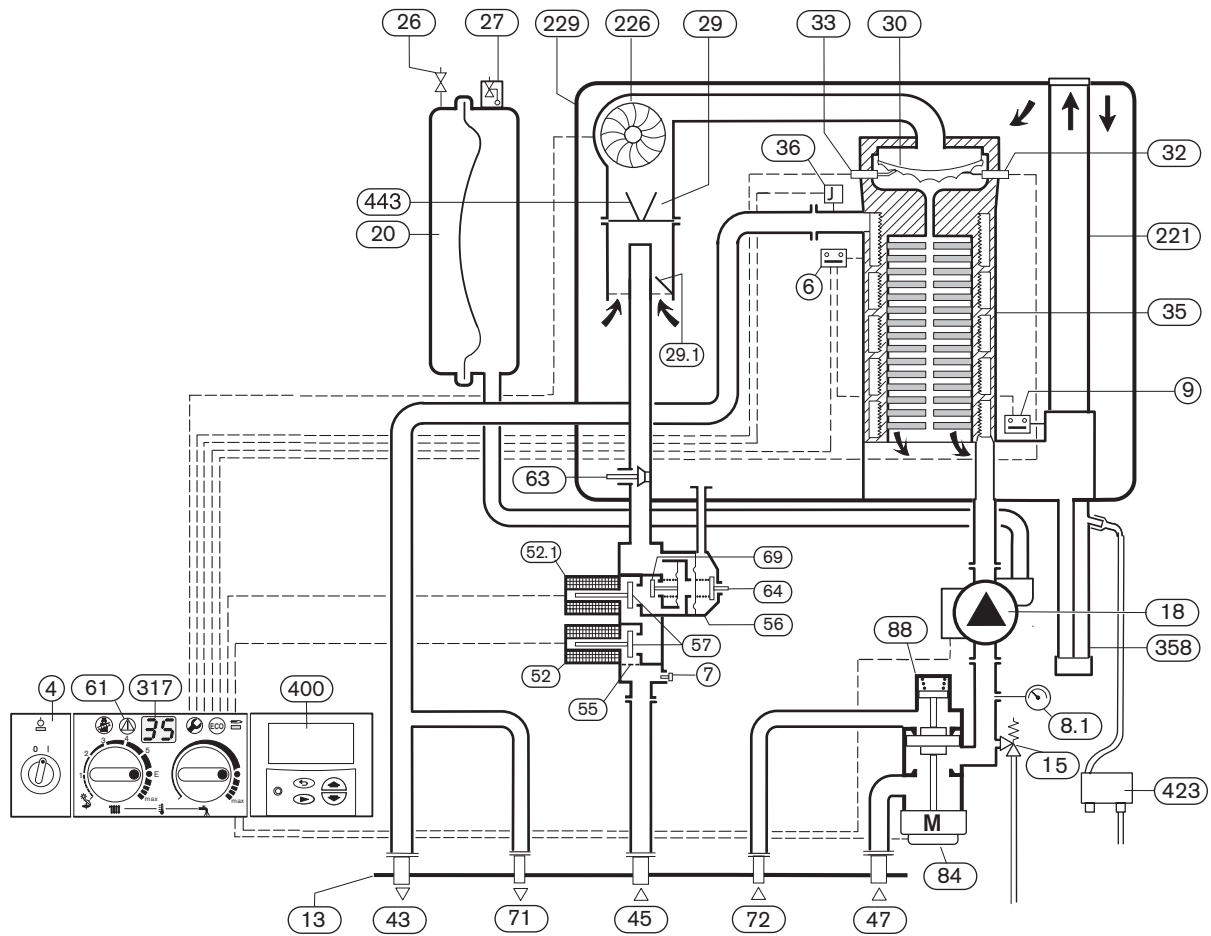


6 720 610 603 - 02.10

Fig. 2

- |              |   |              |   |
|--------------|---|--------------|---|
| <b>4</b>     | Heatronic control                         | <b>221.2</b> | Combustion air intake                     |
| <b>6</b>     | Heat exchanger safety temperature limiter | <b>226</b>   | Fan assembly                              |
| <b>7</b>     | Testing point for gas supply pressure     | <b>295</b>   | Appliance type sticker                    |
| <b>8.1</b>   | Pressure gauge                            | <b>271</b>   | Flue duct                                 |
| <b>9</b>     | Flue gas temperature limiter              | <b>349</b>   | Cover plate for twin flue duct connection |
| <b>15</b>    | Relief valve                              | <b>358</b>   | Condensate trap                           |
| <b>18</b>    | Pump                                      | <b>396</b>   | Hose Condensate trap                      |
| <b>20</b>    | Expansion vessel                          | <b>400</b>   | Textdisplay                               |
| <b>27</b>    | Automatic air vent                        | <b>415</b>   | Cover plate for cleaning access           |
| <b>29</b>    | Air gas Mixer unit                        | <b>416</b>   | Condensate collector                      |
| <b>32.1</b>  | Electrode assembly                        | <b>418</b>   | Data plate                                |
| <b>36</b>    | Temperature sensor in CH flow             | <b>423</b>   | Siphon                                    |
| <b>43</b>    | CH flow                                   |              |   |
| <b>63</b>    | Adjustable gas flow restrictor            |              |   |
| <b>64</b>    | Adjusting screw for min. gas flow volume  |              |   |
| <b>88</b>    | 3-way valve                               |              |   |
| <b>102</b>   | Inspection window                         |              |   |
| <b>120</b>   | Fixing points                             |              |   |
| <b>221.1</b> | Flue duct                                 |              |   |

## 1.7 Function

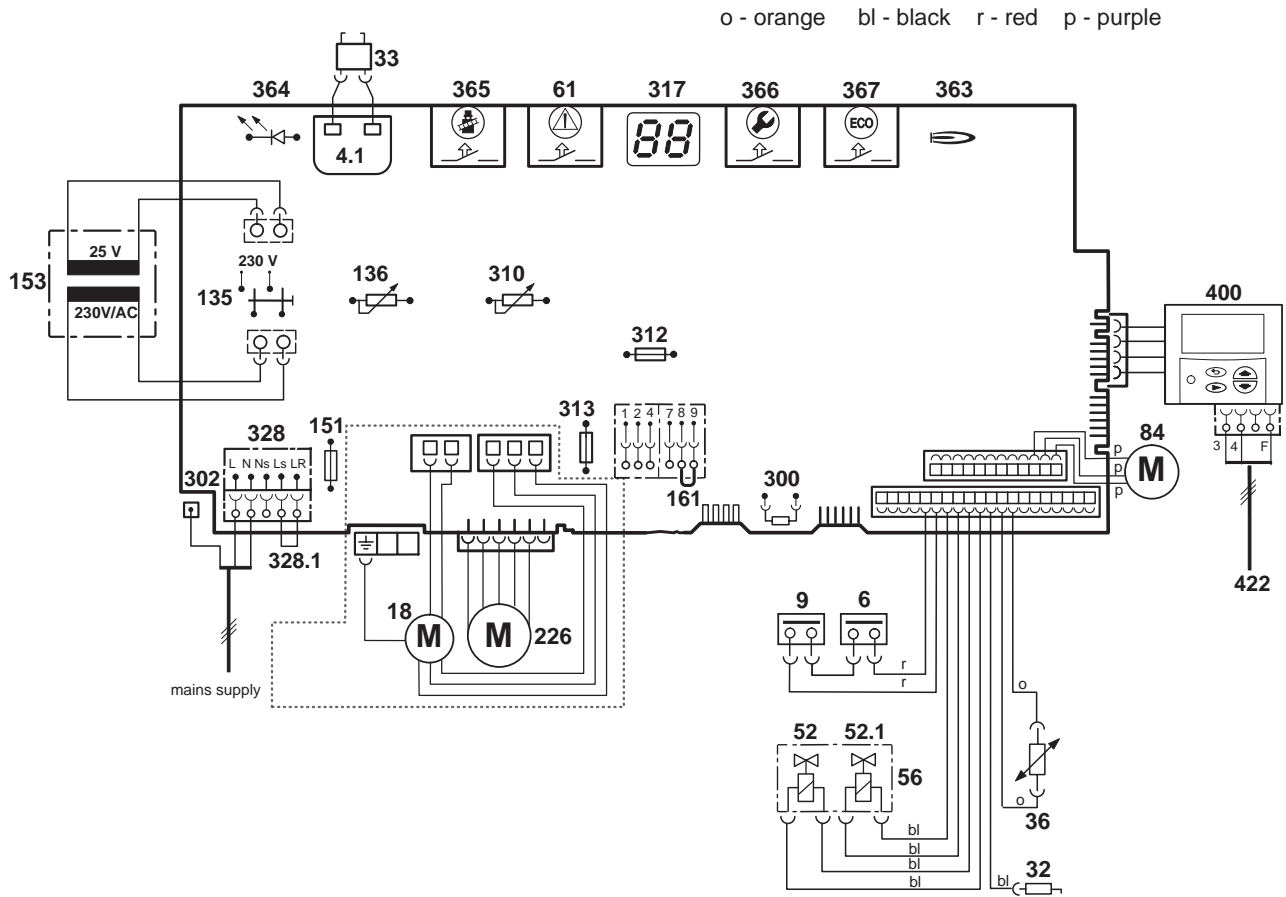


6 720 610 603 - 03.20

Fig. 3

<b>4</b>	Bosch Heatronic control	<b>71</b>	Storage water heater outflow
<b>6</b>	Temperature limiter, heat exchanger	<b>72</b>	Storage water heater return
<b>7</b>	Testing point for gas supply pressure	<b>84</b>	Motor
<b>8.1</b>	Pressure gauge	<b>88</b>	3-way valve
<b>9</b>	Flue gas temperature limiter	<b>221</b>	Flue duct
<b>13</b>	Manifold	<b>226</b>	Fan
<b>15</b>	Safety valve	<b>229</b>	Air box
<b>18</b>	Central heating pump	<b>234</b>	Testing point for flue gas
<b>20</b>	Expansion vessel	<b>234.1</b>	Testing point for combustion air
<b>26</b>	Charging valve	<b>317</b>	Display
<b>27</b>	Automatic vent	<b>358</b>	Condensation trap
<b>29</b>	Mixer unit	<b>400</b>	Textdisplay
<b>29.1</b>	Bi-metallic thermostat for combustion air compensation	<b>423</b>	Siphon
<b>30</b>	Burner	<b>443</b>	Diaphragm
<b>32</b>	Flame sensing electrode		
<b>33</b>	Igniter electrode		
<b>35</b>	Heat exchanger with cooled combustion chamber		
<b>36</b>	Temperature sensor in CH flow		
<b>43</b>	CH flow		
<b>45</b>	Gas		
<b>47</b>	CH return		
<b>52</b>	Solenoid valve 1		
<b>52.1</b>	Solenoid valve 2		
<b>55</b>	Filter		
<b>56</b>	Gas valve CE 427		
<b>57</b>	Main valve disc		
<b>61</b>	Reset button		
<b>63</b>	Adjustable gas flow restrictor		
<b>64</b>	Adjusting screw for min. gas flow volume		
<b>69</b>	Control valve		

### 1.8 Electrical wiring diagram



6 720 610 603 - 03.10

Fig. 4

- |              |  |            |                                 |
|--------------|--|------------|---------------------------------|
| <b>4.1</b>   | Ignition transformer                     | <b>364</b> | Indicator lamp for power supply |
| <b>6</b>     | Temperature limiter, heat exchanger      | <b>365</b> | "Chimney sweep" button          |
| <b>9</b>     | Flue gas temperature limiter             | <b>366</b> | Service button                  |
| <b>18</b>    | Pump                                     | <b>367</b> | ECO button                      |
| <b>32</b>    | Flame sensing electrode                  | <b>400</b> | Textdisplay                     |
| <b>33</b>    | Ignition electrode                       | <b>422</b> | Connecting TR2                  |
| <b>36</b>    | Temperature sensor in CH flow            |            |                                 |
| <b>52</b>    | Solenoid valve 1                         |            |                                 |
| <b>52.1</b>  | Solenoid valve 2                         |            |                                 |
| <b>56</b>    | Gas valve CE 427                         |            |                                 |
| <b>61</b>    | Reset button                             |            |                                 |
| <b>84</b>    | Motor, 3-way valve                       |            |                                 |
| <b>135</b>   | Master switch                            |            |                                 |
| <b>136</b>   | Temperature control for CH flow          |            |                                 |
| <b>151</b>   | Fuse, slow 2.5 A, AC 230 V               |            |                                 |
| <b>153</b>   | Transformer                              |            |                                 |
| <b>161</b>   | Link                                     |            |                                 |
| <b>226</b>   | Fan                                      |            |                                 |
| <b>300</b>   | Code plug                                |            |                                 |
| <b>302</b>   | Earth connection                         |            |                                 |
| <b>310</b>   | Temperature control for hot water        |            |                                 |
| <b>312</b>   | Fuse, slow T 1,6 A                       |            |                                 |
| <b>313</b>   | Fuse, slow T 0,5 A                       |            |                                 |
| <b>317</b>   | Digital display                          |            |                                 |
| <b>328</b>   | Terminal block for AC 230 V Mains supply |            |                                 |
| <b>328.1</b> | Link                                     |            |                                 |
| <b>363</b>   | Indicator lamp for burner                |            |                                 |



## 1.9 Technical data

	Units	RD 430i Natural gas	RD 430i Propane
Max. rated heat output net 40/30°C central heating	kW	31.2	31.2
Max. rated heat output net 50/30°C central heating	kW	30.9	30.9
Max. rated heat output net 80/60°C central heating	kW	29.2	29.2
Max. rated heat input net	kW	29.5	29.5
Min. rated heat output net 40/30°C	kW	8.4	11.6
Min. rated heat output net 50/30°C	kW	8.3	11.4
Min. rated heat output net 80/60°C	kW	7.4	10.5
Min. rated heat input net	kW	7.6	10.8
<b>Maximum gas flow rate - After 10 minutes from lighting</b>			
Natural gas G20 (CVnet 34.02 MJ/m <sup>3</sup> )	m <sup>3</sup> /h	3.1	-
LPG (CVnet 88 MJ/m <sup>3</sup> )	kg/h	-	2.1
<b>Gas supply pressure</b>			
Natural gas G20 (CVnet 34.02 MJ/m <sup>3</sup> )	mbar	20	-
LPG (CVnet 88 MJ/m <sup>3</sup> )	mbar	-	37
<b>Expansion vessel</b>			
Charge pressure	bar	0.75	0.75
Total capacity	l	10	10
<b>Flue</b>			
Flue gas temp. 80/60°C, rated/min. load	°C	67/55	67/55
Flue gas temp. 40/30°C, rated/min. load	°C	43/32	43/32
Residual delivery pressure (inc. pressure drop in air intake duct)	Pa	80	80
CO <sub>2</sub> level at max. rated heat output	%	9.2	10.8
CO <sub>2</sub> level at min. rated heat output	%	8.8	10.5
NO <sub>x</sub> -class		5	5
SEDBUK figure	Band	A	A
<b>Condensate</b>			
Max. condensation rate (t <sub>R</sub> = 30°C)	l/h	2.3	2.3
pH-value, approx.		4.8	4.8
<b>General Data</b>			
Electrical power supply voltage	AC ... V	230	230
Frequency	Hz	50	50
Max. power consumption	W	125	125
Noise output level	dB(A)	37	37
Appliance protection rating	IP	X4D	X4D
Max. CH flow temperature	°C	nom. 90	nom. 90
Max. permissible operating pressure (CH)	bar	3	3
Permissible ambient temperatures	°C	0 - 50	0 - 50
Nominal capacity of appliance	l	3.75	3.75
Weight (excluding packaging)	kg	46	46

Table 2

**Condensate analysis, mg/l**

Ammonium	1.2	Nickel	0.15
Lead	≤ 0.01	Mercury	≤ 0.0001
Cadmium	≤ 0.001	Sulphate	1
Chromium	≤ 0.005	Zinc	≤ 0.015
Halogenated hydrocarbons	≤ 0.002	Tin	≤ 0.01
Hydrocarbons	0.015	Vanadium	≤ 0.001
Copper	0.028	pH-value	4.8

Table 3

**Flue system**

<b>HORIZONTAL 100 mm - Standard FLUE SYSTEM</b>			
Overall Diameter of Duct	mm	100	Max. 4 m
Flue Terminal / Duct Assembly Length	mm	600	
Extension Duct Length	mm	1000	

Table 4

<b>HORIZONTAL 125 mm FLUE SYSTEM</b>			
Overall Diameter of Duct	mm	125	Max. 13 m (including turret)
Flue Terminal / Duct Assembly	mm	1030	

Table 5

<b>VERTICAL 100 mm FLUE SYSTEM</b>			
Overall Diameter of Duct	mm	100	Excl. terminal Max. 5m
Flue Terminal / Duct Assembly	mm	1140	

Table 6

<b>VERTICAL 125 mm FLUE SYSTEM</b>			
Overall Diameter of Duct	mm	125	Excl. terminal Max. 13.7 m
Flue Terminal / Duct Assembly	mm	1365	

Table 7

Elbow - 90 ° Equivalent length 2 m  
 Bend - 45 ° Equivalent length 1 m

**Gas supply**

Total length of gas supply pipe (metres)			Pipe diameter (mm)
3	6	9	
Gas discharge rate (m <sup>3</sup> /h)			
8.7	5.8	4.6	22
18.0	12.0	9.4	28

Table 8

**2 Installation regulations**

Gas Safety (Installation & Use) Regulations 1998: All gas appliances must be installed by a competent person. Failure to install correctly could lead to prosecution.

The manufacturers notes must not be taken, in any way, as overriding statutory obligations.

The appliance must be installed in accordance with the current IEE Wiring Regulations, local Building Regulations, Building Standards (Scotland) (Consolidation), bye-laws of the local Water Company, Health and Safety Document 635 (Electricity at Work Regulations 1989) and any other local requirements.

Product Liability regulations indicate that, in certain circumstances, the installer can be held responsible, not only for mistakes on his part but also for damage resulting from the use of faulty materials. We advise the installer to avoid any risk by using only quality approved branded fittings.

The relevant British Standards should be followed i.e.

- BS 6798: Specification for the installation of gas fired hot water boilers of rated input not exceeding 60kW
- BS 5449: Central Heating for Domestic Premises
- BS 5546: Installation of gas hot water supplies for domestic purposes
- BS 5440:1: Flues and ventilation for gas appliances of rated input not exceeding 70 kW (net): Flues
- BS 5440:2: Flues and ventilation for gas appliances of rated input not exceeding 70 kW (net): Air Supply
- BS 6891: Installation of low pressure gas pipework installations up to 28 mm (R1).
- BS 7074:1: Code of practice for domestic heating and hot water supply
- BS 7671: Requirements for Electrical Installation.

**These instructions must be followed.**

### 3 Installation



- ▶ Always turn off the gas cock before carrying out any work on components which carry gas.



Fixing of the appliance, gas and flue connections, commissioning of the system and electrical connections may only be carried out by competent persons authorised by CORGI.

#### 3.1 Important remarks

- ▶ Appliance should only be installed in sealed central heating and hot water systems.
- ▶ To avoid gas formation in the system, galvanised radiators or pipes must not be used.
- ▶ If a room thermostat is used: do not fit a thermostatic radiator valve on the radiator in the primary room.
- ▶ This appliance uses an automatically variable pump. An auto-bypass must not be fitted.
- ▶ Add a suitable anti-freeze fluid to the water in the central heating system.  
Suitable products are available from Betz-Dearborn Tel.: 0151 4209563, Fernox Tel.: 01799 550811 and Salamander on 0121-378-0952.
- ▶ In our experience, the addition of sealing agents to the water in the central heating system can cause problems (deposits in the heat exchanger). For that reason we advise against their use.

#### 3.2 Sealed systems

The appliance must not be operated without the system being full of water, properly vented and pressurised.

The expansion vessel has a volume of 10 litres and is charged to a pressure of 0.75 bar.

The water capacity of the system is shown in table 11, page 32. If a greater capacity is required then an additional expansion vessel must be fitted into the system return as close to the appliance as possible. The system pressure can be set up to a maximum of 1.5 bar with 1 bar being the normal setting.

If the system pressure is greater than 2.5 bar when the appliance is operating at maximum temperature then an additional expansion vessel must be fitted into the system return as close to the appliance as possible.

The filling point must be at low level and arranged as shown in figs. 5 and 6.

The pressure relief valve is set to operate at 3 bar.

There must be no connection to the mains without the approval of the local water company. All connections in the system must be capable of withstanding a pressure of up to 3 bar and the radiator valves conform to the requirements of BS2767:10.

If Thermostatic Radiator Valves are fitted then it is recommended that the primary radiator is left open.

Repeated venting probably indicates a leak and this must be rectified to ensure the proper operation of the appliance.

**No galvanised radiators or pipes must be used.**

**If any system water treatment is required then only products suitable for use with Aluminium shall be used i.e Fernox- Copal or Superconcentrate or Sentinal X100, in accordance with the manufacturers instructions. The use of any other substances will invalidate the guarantee. The pH value of the system water must be less than 8 or the appliance guarantee will be invalidated.**

Suitable products are available from Betz-Dearborn Tel: 0151-4209563, Fernox Tel: 01799-550811 and Salamander on 0121-378-0952

A drain cock to BS2879 must be fitted to the lowest point of the system.

**IMPORTANT: Check that no dirt is left in the water pipework as this could damage the appliance. Thoroughly flush the heating system and the mains water supply before fitting the appliance to the wall in accordance with the recommendations of BS7593:1992.**

**Note:**  
A drain cock should be fitted at the lowest point of the heating circuit and beneath the appliance

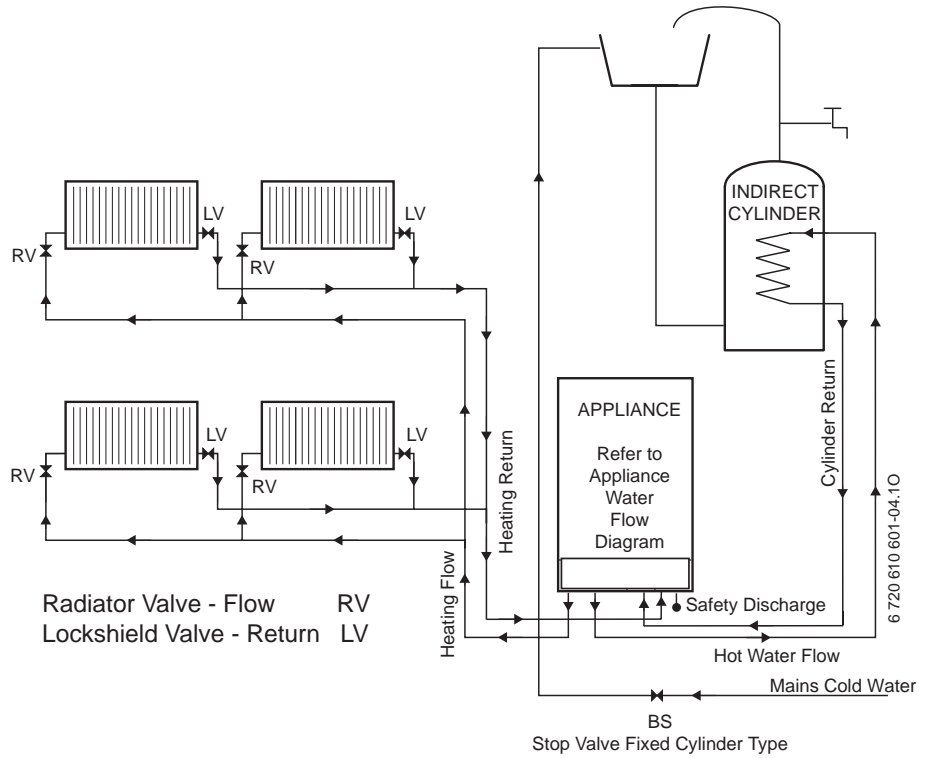


Fig. 5 System layout

The RD 430i system boiler incorporates an in-built diverter valve, which, together with the room temperature controller and DHW cylinder NTC (supplied) provide a packaged boiler suitable for connection to the heating and hot water system as shown in Fig. 5.

It is not recommended to use any external valves or controllers in addition to the in-built equipment.

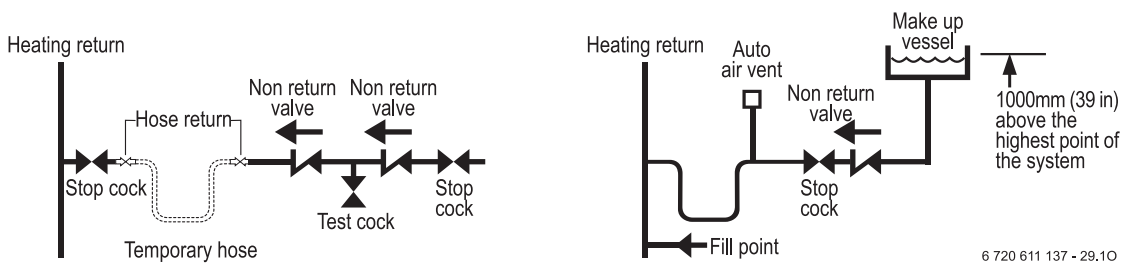


Fig. 6

### 3.3 Siting the appliance

#### Regulations concerning the Installation Site

- ▶ Relevant national regulations must be complied with section 3.8.1.
- ▶ Consult the installation instructions for details of minimum clearances required.

#### Combustion air

In order to prevent corrosion, the combustion air must not contain any corrosive substances.

Substances classed as corrosion-promoting include halogenated hydrocarbons which contain chlorine and fluorine compounds and are contained in some solvents, paints, adhesives, aerosol propellants and household cleaners, for example.

#### Surface temperature

The max. surface temperature of the casing and the flue is less than 85 °C.

This means that, no special safety precautions are required with regard to flammable building materials and fitted furniture. The specified clearances must be maintained.

#### Cupboard/Compartment

The appliance can be installed in a cupboard/compartment need for airing clothes providing that the requirements of BS6798 and BS5440:2 are followed. The low casing losses from the appliance eliminate the need for ventilation openings in the compartment.

### 3.4 Wall mounting frame assembly

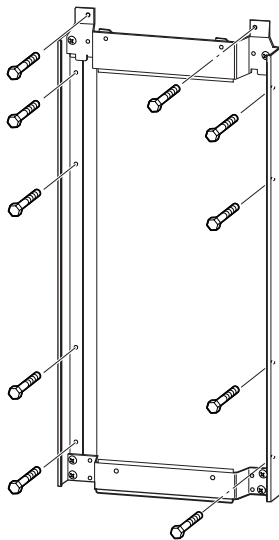
- ▶ Take the wall mounting frame out of the package and screw together with 6 screws as shown in fig. 7. Use the inner lugs on the top and bottom horizontal sections.



6 720 610 597-06.10

Fig. 7

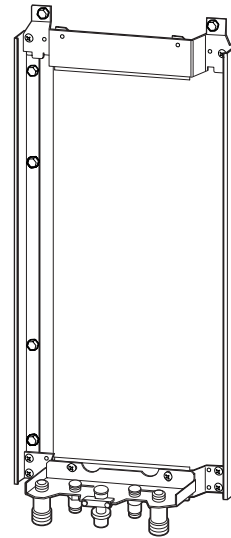
- ▶ Hold the wall-mounting frame against the wall ensuring that it is vertical.
- ▶ Mark the holes for the wall mounting frame onto the wall, drill and plug the holes and screw the wall mounting frame to the wall with the screws provided.
- ▶ Mark the position of the flue duct hole if a rear flue is to be used. Refer to fig. 1 and 16.



6 720 610 597-07.10

Fig. 8

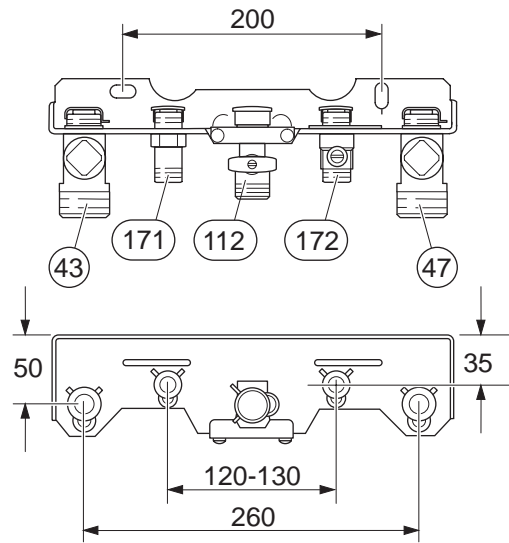
- ▶ Screw the pre-plumbing manifold with two screws to the wall mounting frame.



6 720 610 597-08.10

Fig. 9

### 3.5 Pre-piping the system



6 720 610 576-06.10

Fig. 10 Manifold

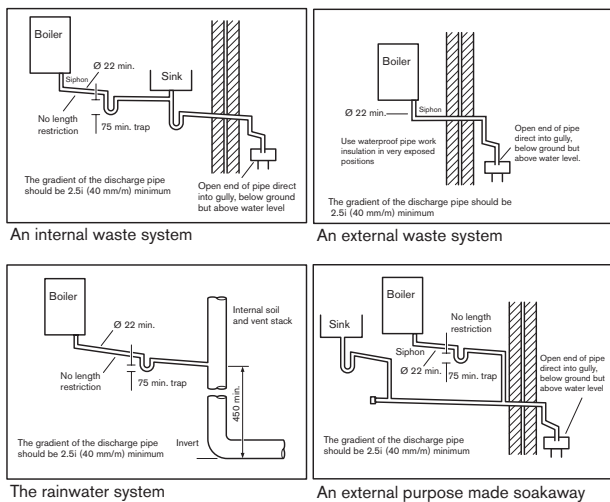
- 43** CH flow
- 47** CH return
- 112** Gas cock
- 171** Domestic hot water flow
- 172** Domestic hot water return

- ▶ A drain tap should be fitted at the lowest point of the central heating system.
- ▶ WRAS approved filling loop must be fitted.

### Condensate Termination and Route

The appliance has a built-in syphonic condensate trap eliminating the need for external traps. Connect to the 22mm plastic drain pipe and extend the pipe run away from the control panel and appliance with a constant fall of 2.5° or 25mm in every metre. See fig. 12.

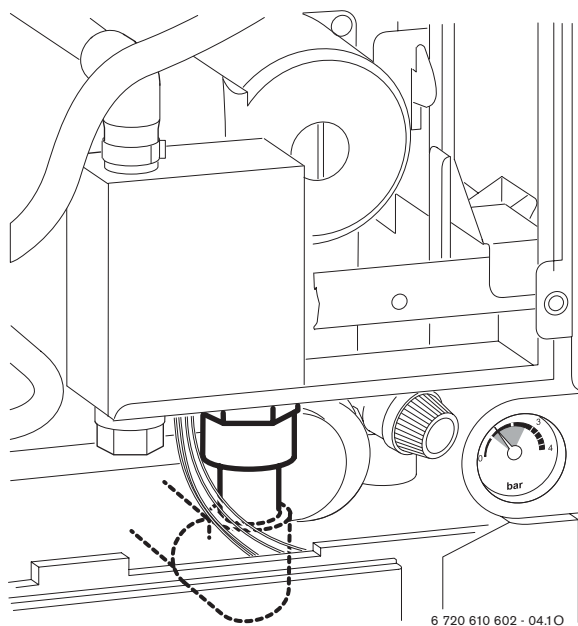
The condensate pipe can terminate into any of four areas:



6 720 610 596 -03.2TD

Fig. 11

Whilst all of the above methods are acceptable it is always the best practice to terminate the condensate pipe via an internal waste system. This will eliminate the need for any external condensate pipe runs which can be susceptible to freezing in extreme weather.



6 720 610 602 - 04.1 O

Fig. 12 Recommended route of the condensate drain

### External condensate pipework

The syphonic condensate trap collects condensate into a trap which releases it in 100 ml quantities. This helps to prevent the discharge from freezing.

If there is no alternative and the condensate pipe has to be externally run, the following should be considered:

- The pipe run should take the shortest practical route.
- The pipework should be insulated with weather resistant insulation.
- The pipe should terminate as close as possible to the ground or drain, whilst still allowing the condensate to safely disperse. This would prevent wind blowing up the pipe.
- The pipework should be installed with the minimum of horizontal runs and with a downward slope of at least 2.5°.

### 3.6 Fitting the appliance



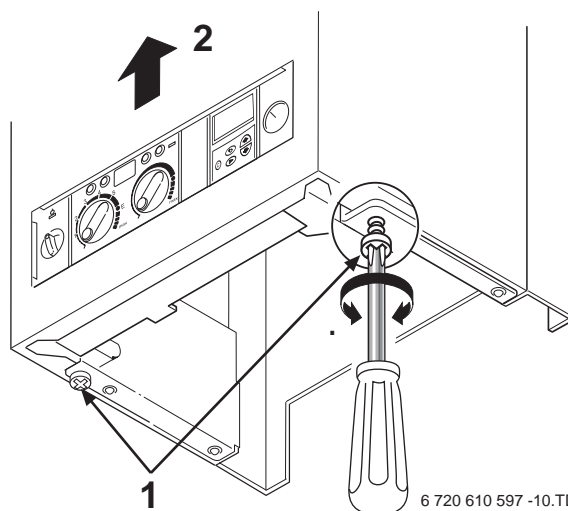
**Benchmark:** For optimum performance after installation, this boiler and its associated central heating system must be flushed in accordance with the guidelines given in BS5793:1992 "Treatment of water in domestic hot water central heating systems".

### Removing the outer case



The outer case is secured against unauthorised removal by two screws (electrical safety). Always secure the outer case with those screws again after refitting.

- ▶ Remove retaining screws (1), see Fig. 13.
- ▶ Slide the outer case upwards and forwards to remove (2).



6 720 610 597 -10.TD

Fig. 13

### Fixing the appliance

- ▶ Fit the washers onto the gas and water connections.
- ▶ Lift the boiler onto the wall-mounting frame. The lugs pass through the rectangular holes in the boiler back panel.
- ▶ Take care not to disturb the washers on the connections.

### Connecting the flue duct

- ▶ Fit flue duct connector onto appliance flue spigot.
- ▶ Secure with the screws supplied.

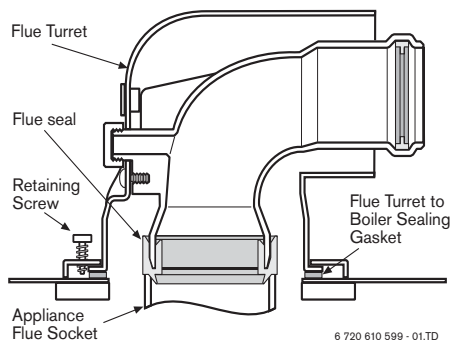


Fig. 14

- ▶ For remaining installation of flue assembly, refer to the relevant installation instructions.

## 3.7 Checking the connections

### Water connections

- ▶ Check that the O-rings or seals are in place before tightening the connection.
- ▶ Turn on the service valves for central heating flow and return and fill the heating system through a WRAS approved filling loop.
- ▶ Check all seals and unions for leaks (testing pressure max. 3.0 bar as indicated by pressure gauge).
- ▶ Turn on cold water service cock and fill hot water system (testing pressure max. 10 bar).
- ▶ Check all connections for leaks.

### Gas supply pipe

- ▶ Check that the seal is in place before tightening the connection.
- ▶ Turn off gas cock to protect gas valve against damage from excessive pressure.
- ▶ Check gas supply pipe.
- ▶ Release the pressure on the gas supply pipe.

## 3.8 Flue Systems

The only flue systems that may be used are those supplied with the boiler.

The flue system must be installed in accordance with the requirements of BS5440:1.

### Standard 100 mm flue system

The standard concentric flue system provides for a horizontal length of upto 4 m. Full instructions for fitting this flue are in Subsection 3.8.2 "Installation of the flue".

### Alternative 125 mm diameter flue systems

Installation instructions for the alternative flue systems are sent with the appropriate flue kit.

Systems are available to give a maximum horizontal length of 13 m.

A vertical flue system upto a height of 13.7 metres is available.

45° and 90° flue bends can be used with a corresponding reduction in flue length of 2 m for each 90° bend and 1 m for each 45° bend used.

**IMPORTANT:** Any horizontal flue system fitted to a condensing boiler must incline towards the appliance at an angle of 3 % (30 mm per metre length) to prevent condensate dripping from the flue terminal.

Note, the standard 100mm horizontal flue requires only a 0.5° incline to the boiler as the inner exhaust pipe is inclined at 2.5° inside the outer pipe.

**This means that the clearance above the appliance must be increased to match the duct length. Refer to fig. 1 on page 5.**



### 3.8.1 Siting the Flue Terminal

The flue must be installed in accordance with BS 5440:1 and the Building Regulations. Flue terminals in carports and under balconies are to be avoided. The terminal must be positioned so that it does not cause an obstruction nor the combustion products a nuisance. See fig. 15 and table 9.

The terminal will, at times, give out a plume of water vapour and consideration must be given to this when choosing a terminal position. Keep clear of security

lighting, activated by passive infra-red sensing heads. If the terminal is less than 2 m above a surface to which people have access then a guard must be fitted. The guard must be evenly spaced about the terminal with a space of 50 mm in each direction and fixed with plated screws.

A guard Type K6 for the standard horizontal flue, can be obtained from Tower Flue Components, Vale Rise, Tonbridge TN9 1TB.

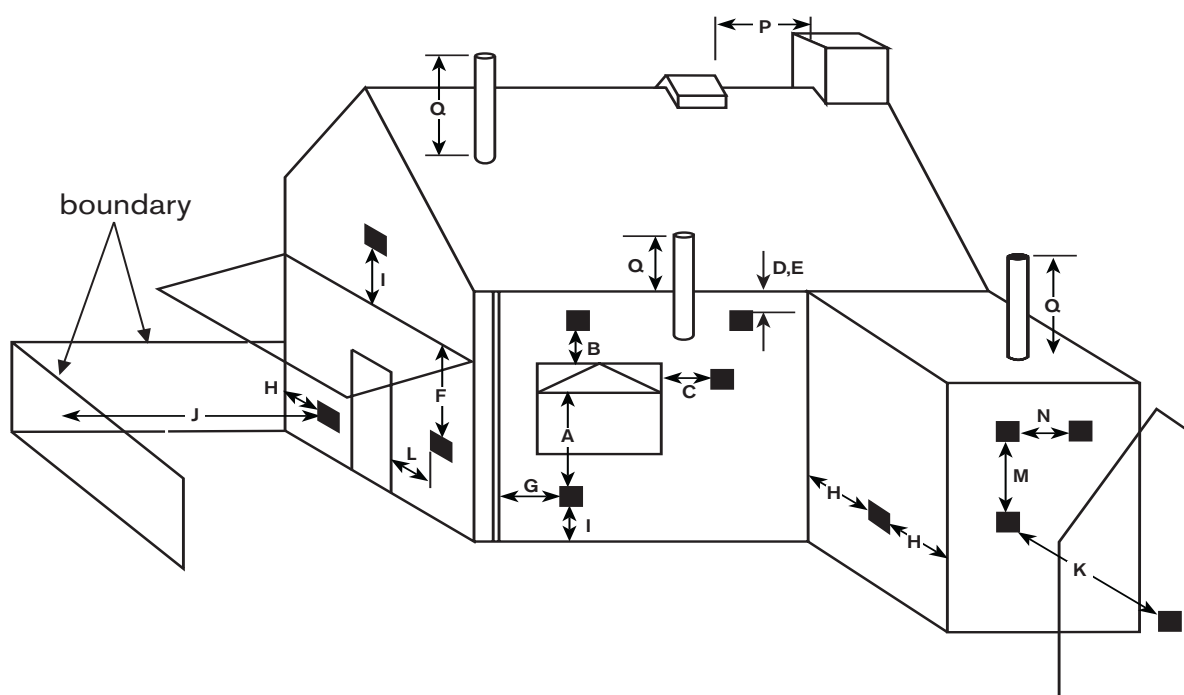


Fig. 15

#### Minimum dimensions of flue terminal positions (all types) (see fig. 15)

Dimension	Terminal Position (kW input expressed in net)	Balanced flues room sealed: Fanned draught
A <sup>1)</sup>	Directly below an opening, air brick, opening windows, etc.	300 mm
B <sup>1)</sup>	Above an opening, air brick, opening window, etc.	300 mm
C <sup>1)</sup>	Horizontally to an opening, air brick, opening window, etc.	300 mm
D	Below gutters, soil pipes or drain pipes	75 mm
E	Below eaves	200 mm
F	Below balconies or car port roof (lowest point)	Not recommended
G	From a vertical drain pipe or soil pipe	75 mm
H	From an internal or external corner or to a boundary alongside the terminal	300 mm
I	Above ground roof or balcony level	300 mm
J	From a surface or boundary facing the terminal	1200 mm
K	From a terminal facing the terminal	2000 mm
L	From an opening in the car port (e.g. door, window) into the dwelling	Not recommended
M	Vertically from a terminal on the same wall	1500mm
N	Horizontally from a terminal on the same wall	300 mm
P	From a vertical structure on the roof	500 mm
Q	Above intersection with roof	300 mm

Table 9

1) In addition, the terminal should not be nearer than 150 mm (fanned draught) to an opening in the building fabric formed for the purpose of accommodating a built-in element such as a window frame.

**3.8.2 Installation of the flue**

The standard 100 mm diameter horizontal flue system is suitable for lengths upto 4 m.

Flues upto 650 mm do not require an extension duct assembly.

Flues between 1600 mm and 4000 mm require extension duct assemblies.

NOTE: Flue lengths between 650 mm and 730 mm cannot be accommodated. Refer to fig. 17, 18, 19.

**Standard system comprise:**

- Flue turret
- Flue turret clamp
- Terminal assembly
- Wall sealing gasket and cover plate.

Refer to fig. 20

Instructions for fitting other flue systems are packed with the relevant flue kit.

Check that the position chosen for the appliance is satisfactory Refer to fig. 16.

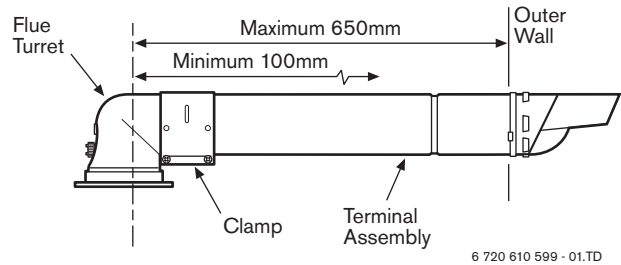


Fig. 17 Standard Flue

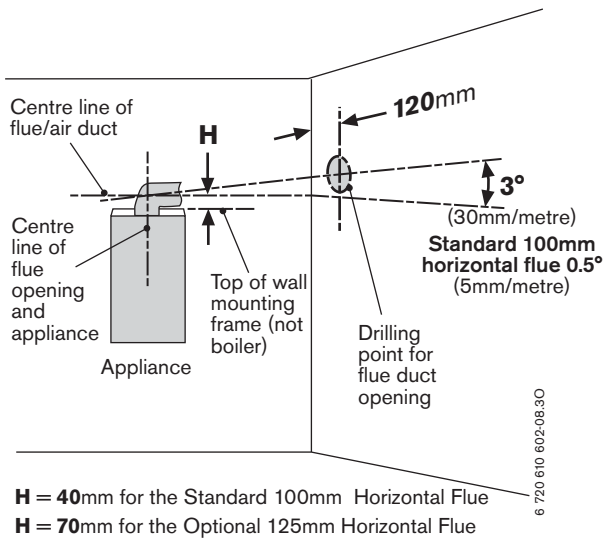


Fig. 16 Marking the position of the side flue opening-

Note: ensure there is adequate access to the air/flue sampling points in the flue turret.

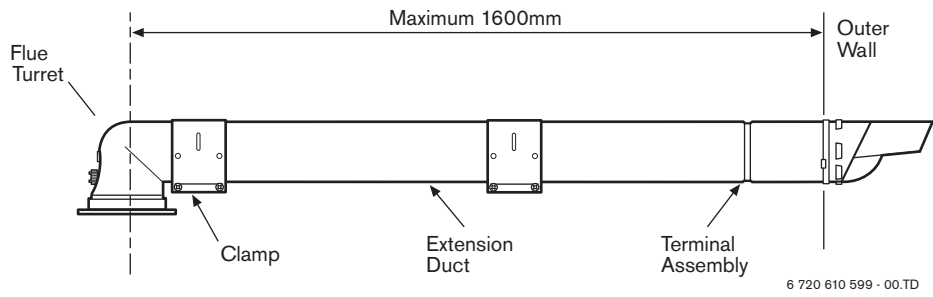


Fig. 18 Flue with One Extension

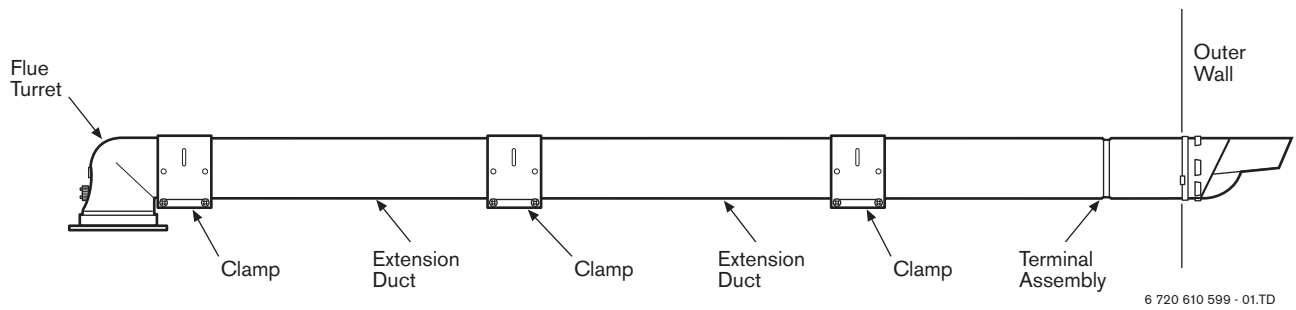


Fig. 19 Flue with extensions

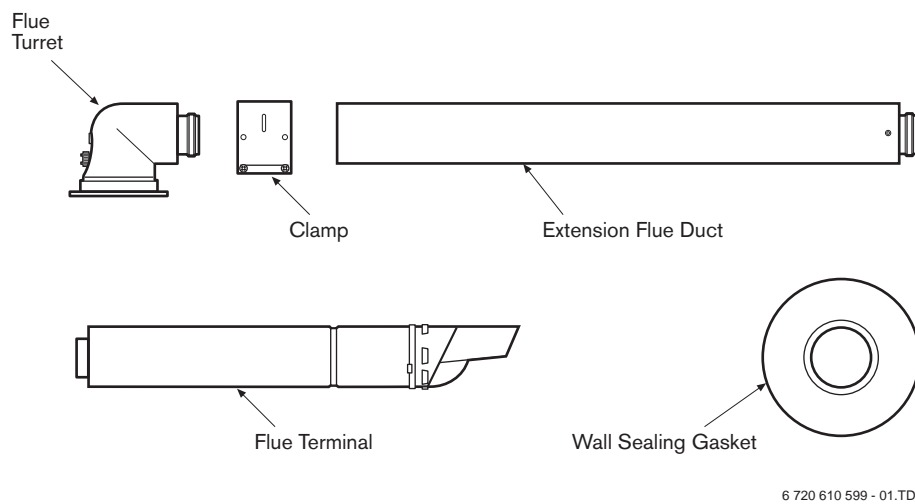


Fig. 20 Flue Components

### 3.8.3 Flue duct preparation and assembly

Measure the flue length L. Refer to fig. 21, 22.

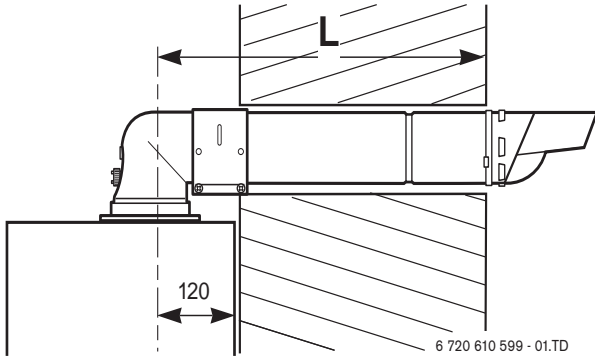


Fig. 21 Flue length - rear

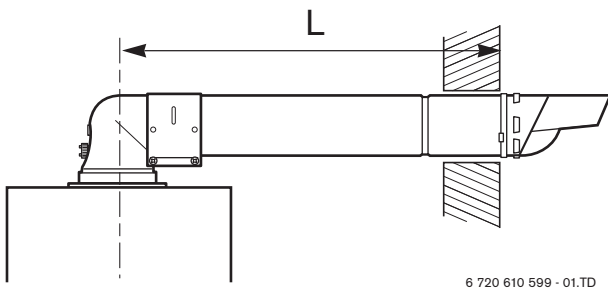


Fig. 22 Flue length - side

Measure 'L' from the end of the metal section of the flue terminal to the center of the flue outlet on the boiler as shown in Fig. 21 & Fig. 22 and deduct 90mm from that measurement.

Cut both inner and outer flue pipe square at the opposite end to the terminal without creasing the tubes.

Remove any burrs before fitting the terminal to the turret.

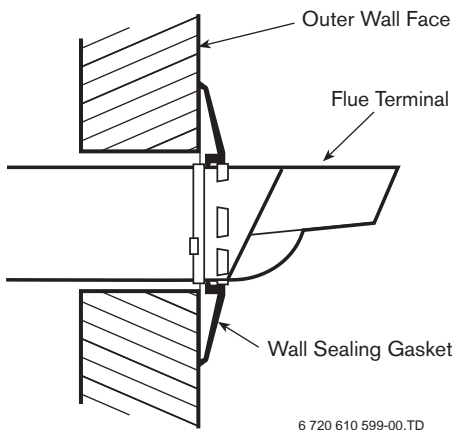


Fig. 23 Flue terminal position

Assemble flue system completely. Push the ducts fully together and clamp in the positions. The slope of the terminal outlet must be directed as per Fig. 23.

The assembly will be made easier if a solvent free grease is lightly applied i.e Silicone lubricant, to the male end of the ducts.

**NOTE: An inner wall sealing plate is provided which should be fitted to the ducts before assembly.**

Push the assembly through the wall and fix the turret to the appliance using the screws provided. Refer to fig. 24.

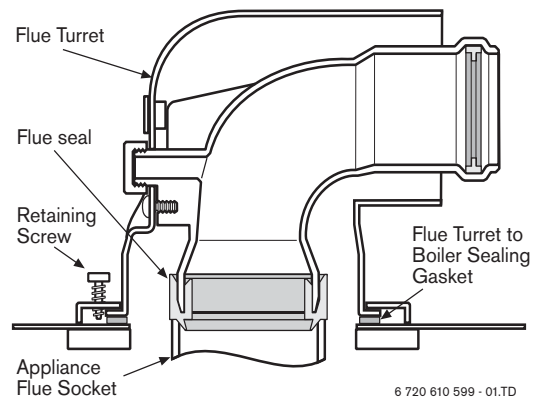


Fig. 24 Flue turret

Ensure that the turret is fully secured to the socket on the boiler.

If the terminal is within 2 m of the ground where there is access then an approved terminal guard must be fitted. The guard must give a clearance of at least 50 mm around the terminal and be fixed with corrosion resistant screws.

## 4 Electrical connections



▶ Always disconnect the power supply to the appliance at the mains before carrying out any work on the electrical systems and components.

- ▶ Allow mains cable to protrude at least 50 cm from wall.
- ▶ To maintain the splash-proof (IP) design: cut the cable grommet hole size to match the diameter of the cable, see fig. 27.
- ▶ The appliance must be earthed.
- ▶ It must be possible to completely isolate the appliance with at least 3mm contact separation in both poles.

The wiring between the appliance and the electrical supply shall comply with current IEE Wiring Regulations (and any local regulations which apply) for fixed wiring to a stationary appliance.

- Supply: 230 V ~ 50 Hz, 150 Watts
- External fuse 3 A
- Any system connected to the boiler must NOT have a separate electrical supply
- Water Protection IPX4D.

### 4.1 Connecting the appliance

To gain access to the mains connection remove the drop down fascia cover. The drop down cover is removed by lowering it to the horizontal position and pushing firmly upwards at the rear of the supports to release the cover. Lift cover from the appliance.

After installation (or in the event of an electrical fault) the electrical system shall be checked for short circuits, fuse failure, incorrect polarity of connections, earth continuity and resistance to earth.

- ▶ Pull out cover panel at the bottom and remove. Refer to fig. 25.

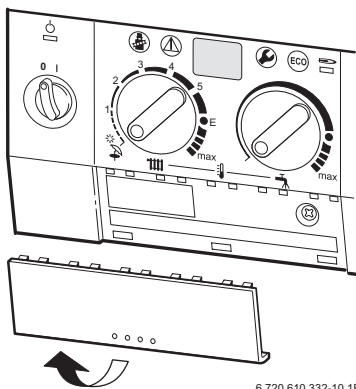


Fig. 25

- ▶ Remove screw and slide terminal cover forwards to remove. Refer to fig. 26.

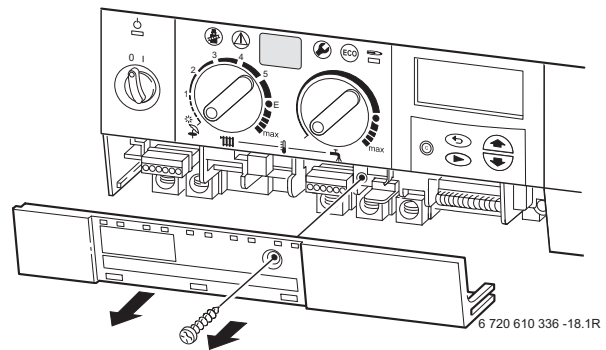


Fig. 26

- ▶ Cut cable grommet to diameter of cable.

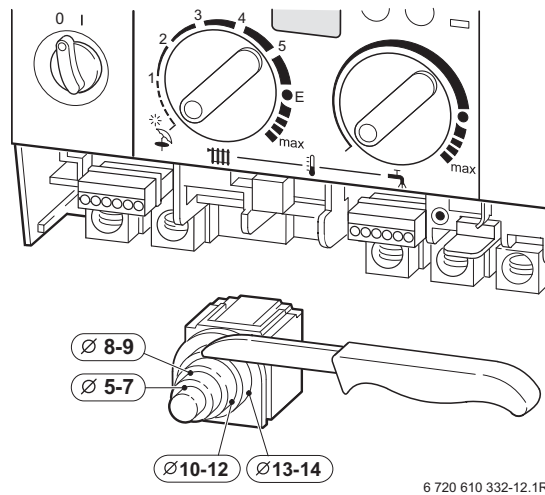


Fig. 27

- ▶ Feed cable through cable grommet and connect the mains supply cable, see fig. 28.
- ▶ Secure cable in cable grommet by means of cable grip.

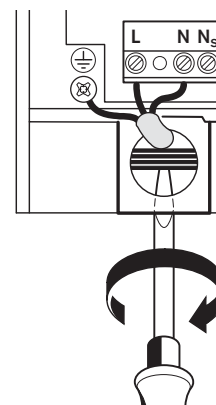


Fig. 28

### 4.2 Connecting TR2 Room thermostat

The TR2 should be connected to terminals 3, 4 and F beneath the Textdisplay, page 8, Fig. 4, Pos. 422.

### 4.3 Mains Voltage external controls connections

Please note, that the in-built supplied controls and text display timer prevent and negate the need for any further external controls.

### 4.4 Connecting a Hot Water Cylinder

The sensor for the connection is in the package of the appliance.

- ▶ Snap out plastic tongue.
- ▶ Insert cylinder NTC sensor lead.
- ▶ Plug connector into PCB.

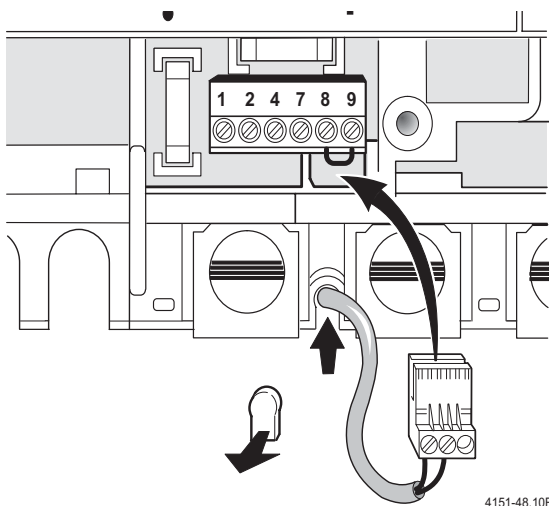


Fig. 29

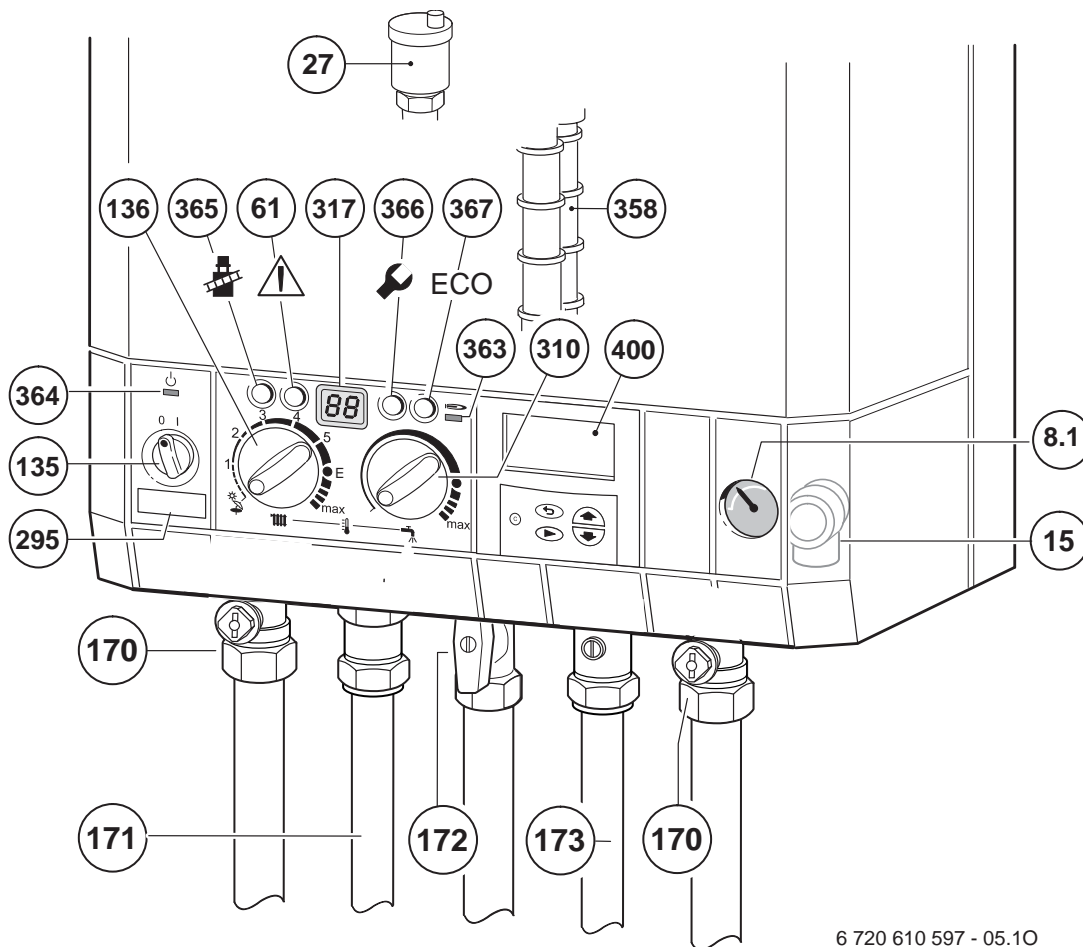


Position the sensor for the Hot Water Cylinder according to the cylinder manufacturer's instruction.

In the event of no instruction, the sensor should be in contact with the outside of the cylinder wall (below any insulation\*) approximately one third of the way up from the cylinder base.

\* Care must be taken not to damage the cylinder when removing any insulation.

## 5 Commissioning



6 720 610 597 - 05.10

Fig. 30

- 8.1** Pressure gauge
- 15** Safety valve
- 27** Automatic vent
- 61** Reset button
- 135** Master switch
- 136** Temperature control for central heating
- 170** Service cocks on CH flow and return
- 171** Hot water flow
- 172** Gas cock (shown in off position)
- 173** Hot water return
- 295** Appliance type sticker
- 310** Temperature control for hot water
- 317** Multifunction display
- 358** Condensation trap
- 363** Indicator lamp for burner
- 364** Indicator lamp for power supply
- 365** "Chimney sweep" button
- 366** Service button
- 367** ECO button
- 400** Textdisplay

### 5.1 Commissioning



**Never** run the appliance when empty or unpressurised.



The operational CO<sub>2</sub> level is set at the factory and no adjustment is necessary when installing a natural gas fired appliance.

**Benchmark Water Treatment:** For optimum performance after installation, this boiler and its associated central heating system should be flushed in accordance with the guidelines given in BS7593:1992 - Treatment of water in domestic hot water systems. Full instructions are supplied with proprietary cleansers sold for this purpose. If an inhibitor is to be used after flushing, it should be used in accordance with the inhibitor manufacturers instructions.

To drain the appliance shut the system valves and open the pressure relief valve.

Suitable flushing agents and inhibitors are available from Betz/Dearborn Tel.: 0151 4209563, Fernox Tel.: 01799 550811 and Salamander Tel.: 0121 378 0952. Instructions for use are supplied with the these products.

- ▶ **Before commissioning, the gas supply pressure must be checked at the gas supply pressure test point (see page 6, fig. 2, item 7). Natural gas appliances must not be operated if the gas supply pressure is below 18 mbar or above 24 mbar. LPG appliances must not be operated if the supply pressure is not 37 mbar at the inlet to the appliance.**
- ▶ Unscrew the condensation trap (358) and pull out, fill with approx. 1/4 l of water and refit. Refer to fig. 30.
- ▶ Adjust charge pressure of expansion vessel to static head of the central heating system (see page 32).
- ▶ Open all system radiator valves.
- ▶ Check automatic air vent is open (27) fig. 30
- ▶ Turn on service valves (170), fill central heating system to pressure of 1 - 2 bar through the WRAS approved filling loop. Refer to fig. 30.
- ▶ Vent radiators.
- ▶ Refill heating system and set the pressure to 1 bar.
- ▶ Turn on cold water service cock (173). Refer to fig. 30.
- ▶ Check that the gas type specified on the identification plate matches that of the gas supply.
- ▶ Turn on gas cock (172). Refer to fig. 30.

## 5.2 Switching the appliance on/off

### Switching on

- ▶ Switch on the appliance at the master switch (I). The indicator lamp shows green and the display will show the central heating flow temperature, when the appliance is operating in the central heating mode.

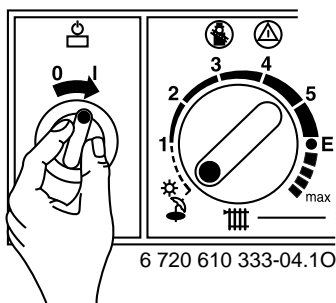


Fig. 31



If the display alternates between **•II•** and the central heating flow temperature, the trap filling programme is active.

The trap filling programme ensures that the condensation trap is filled after the appliance has been installed or after the appliance has been out of use for a long period or the mains supply has been interrupted. For that reason, the appliance remains at minimum heating output for 15 minutes.

- ▶ Open automatic vent (27) and re-close after venting (page 23).

### Switching off the appliance

- ▶ Set the master switch to (0). The green indicator lamp goes out. The optional timer will continue running until the emergency supply is exhausted.



▶ Always disconnect the appliance from the power supply (fuse, circuit breaker) before carrying out any work on the electrical systems or components.

## 5.3 Switching on the central heating

The central heating flow temperature is adjustable between 35°C and 88°C (refer to tables 12, page 32).

- ▶ Turn the temperature control **||||** to set the flow temperature to a level appropriate to the type of central heating system:
  - Underfloor heating: e.g. setting “**3**” (approx. 50°C)
  - Low-temperature heating: setting “**E**” (approx. 75°C)
  - Central heating systems for flow temperatures up to 88 °C: limited “max” setting for low-temperature operation (see page 32).

When the burner is alight, the **red** indicator lamp lights up.

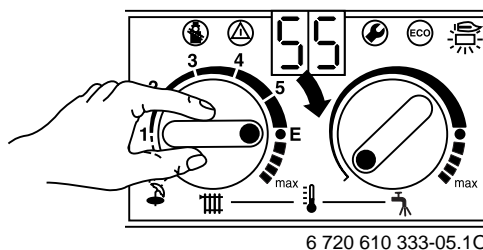


Fig. 32

## 5.4 System controls

- ▶ Set room thermostat to the desired room temperature.
- ▶ Set room temperature control unit (TR2), if fitted. Refer to the instructions with the control.
- ▶ Set the thermostatic radiator valves to the desired settings.




## 5.5 Appliances with Storage Tank: Setting hot water temperature



- ▶ Do not set the temperature higher than 60°C for normal operation.
- ▶ Only use temperatures of up to 70°C temporarily for thermal disinfection purposes.



With the text display you can set additional hot water charging times and temperatures.

- ▶ Set the hot water temperature by means of the temperature control  on the appliance.

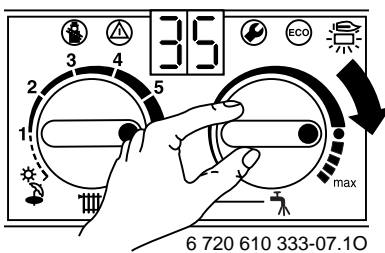


Fig. 33

Control Setting	Water Temperature
Anti-clockwise limit	approx. 10°C (frost protection)
●	approx. 60°C
Clockwise limit	approx. 70°C

Table 10

### ECO button

Pressing and holding the ECO button , until it lights up switches from **Comfort mode** to **ECO-mode**.

### Comfort mode, ECO button is not lit (factory setting)


Comfort mode the hot water tank has priority. The hot water cylinder is first heated up to the set temperature. The appliance then switches to central heating mode.

### ECO mode, button is lit

In ECO mode the appliance switches between central heating mode and cylinder charging mode every 12 minutes.

## 5.6 Summer mode, hot water only

### With room thermostat

- ▶ Turn temperature control  on the appliance anti-clockwise as far as the stop.  
The central heating is now turned off. The hot water function and the mains power supply for the heating programmer and timer remain switched on.

## 5.7 Frost protection

- ▶ Leave master switch switched on.



Frost protection and constant frost protection modes can be set on the text display module.

If the appliance is to be left for long periods switch the central heating on and set the room temperature controller to 6°C.

- ▶ Add a suitable anti-freeze fluid to the water in the central heating system.  
Suitable products are available from Betz/Dearborn Tel.: 0151 4209563, Fernox Tel.: 01799 550811 and Salamander Tel.: 0121 378 0952.

## 5.8 Pump anti-seize function



This function prevents the central heating pump seizing after long periods of inactivity.


Every time the pump is switched off, a timer is started. If after 24 hours the pump has not run again, it is switched on for a period of 10 seconds.


## 5.9 Fault Condition




A list of faults that may occur is given on page 45.

In the unlikely event of a fault occurring while the appliance is in operation:

The display and the textdisplay then show a fault code and the button  may also flash.

If the button  flashes:

- ▶ Press and hold the button  until the display shows “- -”.  
The appliance will then start up again and the display will show the central heating flow temperature.

If the button  does not flash:

- ▶ Switch the appliance off and then on again at the master switch.  
The appliance will start up again and the central heating flow temperature will be displayed.

## 5.10 Appliance Data Monitoring

**If the external Gateway module is fitted then the operating system must be commissioned at this stage.**

Commissioning of ADM and Gateway

Check if Gateway is plugged into the telephone line and mains.

1. Remove the cover from the gateway.
2. Unplug the power connector from the side of the gateway.
3. Reconnect the power to the gateway. Press and hold **SW1** and **SW2** within **5** seconds of powering up, see Fig. 34.
4. Observe **2** distinct clicks from the relays on the gateway.

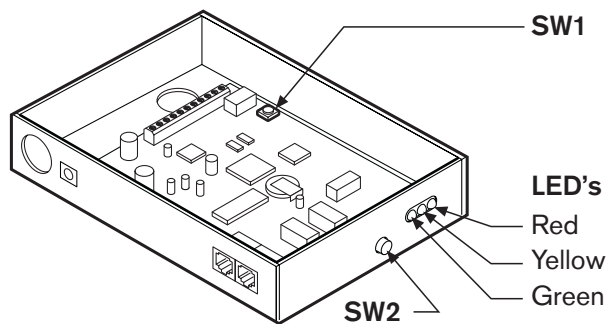


Fig. 34 Gateway Module - switches and LED's

5. Release the switches. Note only the **RED LED** is **ON**. The Gateway is now reset.
6. Press **SW1**. Observe 0.5 Hz flashing of **GREEN LED**. The gateway is now in "House Address Creation mode". This lasts for approx. 1 minute.
7. Wait until **GREEN LED** flashes **3** seconds **ON** and **1** second **OFF**. The gateway has now Created the *House Address*.

8. Make the jumper **JP1** on the **ADM** while powering up the appliance, see Fig. 35.  
Observe **LED** on ADM flashing. The flashing rate is 0.5 Hz, the ADM is now in "*House Address Acquisition mode*".

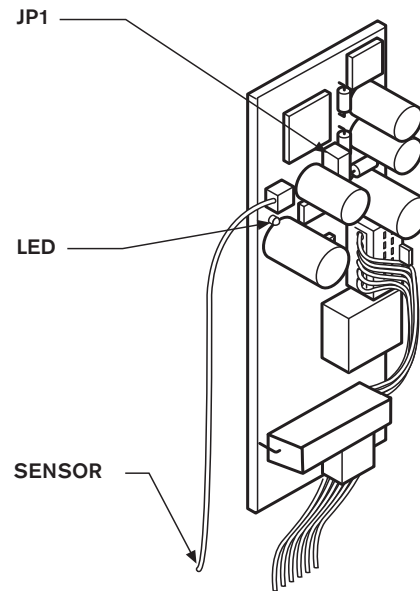


Fig. 35 ADM - switches and LED's

9. Return to the gateway and press **SW1**. Observe **GREEN LED** through the side of the box "*House Address Distribution mode*"



"House Address Acquisition mode" on the ADM and "House Address Distribution mode" on the gateway must overlap. Note the times are as follows, the ADM will stay in "House Address Acquisition mode" for 100 seconds and the gateway will stay in and "House Address Distribution mode" for 60 seconds.

10. After 100 seconds from step 8 observe **ADM LED** flashing at 2 Hz.
11. After 60 seconds from step 9 observe **GREEN LED** on gateway is **ON**.
12. The ADM will now cause the gateway to dial into BG. A click of the relay will be heard from the gateway at each end of the dialling in.
13. Now power down the Heatronic, remove **JP1**, replace all covers and power up again. The system is now set up.

## 6 Text Display

### 6.1 General Description

- The text display is used to display information about the appliance and the system and to alter the settings displayed.
- Once the appliance has been in operation for one day, the text display module has a power buffer period of about 10 hours during which it will run without the mains power supply. After that period has elapsed, the clock function shuts down but all other settings are retained.

### 6.2 Programming

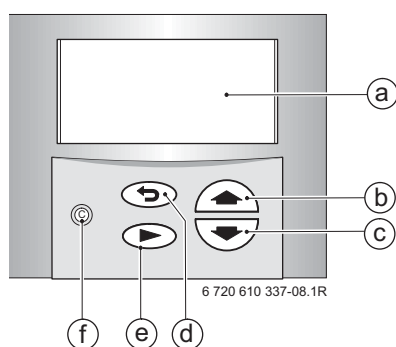


Fig. 36 Controls

- a Display
- b "Up"/"More" button
- c "Down"/"Less" button
- d "Back" button
- e "Next" button
- f "Delete" button

The standard display shows the following information:

- Time
- Room temperature (if TR 2 connected)
- CH flow temperature
- Domestic Hot Water temperature (ZSBR if a Storage Tank is accorded).

Additional indication if a special programme is active:

- x holidays
- Hot water immediately
- Constant on (comfort, if TR2 is not connected)
- Constant off (economy, if TR2 is not connected).

Other special operating modes may be displayed during commissioning, servicing, etc.

The programming procedure is described in detail below **using the clock** function as an example:

- ▶ To start programming, press any button, e. g. . The display lighting switches on and the main menu is displayed:

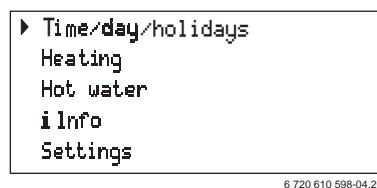


Fig. 37 Main menu

- ▶ Use the or button to move the cursor arrow on the left of the menu so that it points to the desired menu item. In this example, the cursor is positioned next to the menu item **Time/day/holidays**.
- ▶ Confirm the selection by pressing the button. The corresponding submenu is displayed:



Fig. 38 Submenu: Time/day

In the submenus, the top line indicates what action is required.

The bottom line shows the previous menu level, if applicable (see Fig. 39).

- ▶ Use the or button to select **Time/day**.
- ▶ Confirm the selection by pressing the button. The corresponding submenu is displayed:

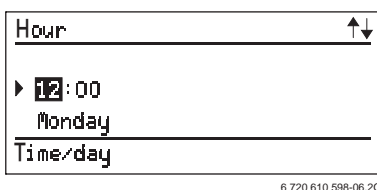




Fig. 39 Setting the hour

When settings are being entered, the setting to be altered is indicated on the top line. In addition, the setting being altered is displayed with a dark background.

- ▶ Use the or button to set the hour.
  - Press and release to change the display by one unit at a time
  - Press and hold to change the display rapidly
- ▶ Confirm the setting by pressing the button.
- ▶ Use the or button to set the minutes.
- ▶ Confirm the setting by pressing the button.
- ▶ Use the or button to set the day of the week.

- ▶ Press the  button to confirm the setting. The cursor then returns to the top line.


**-or-**


- ▶ Press the  button to confirm the setting and return to the previous menu (Fig. 38 page 27).

**-or-**

- ▶ Do not press any other buttons for 15 minutes.

### 6.2.1 Deleting a setting

Either overwrite the setting or press the  button to delete it.

- ▶ Find the setting to be deleted.
- ▶ Press and release the  button.  
The display shows --:--

### 6.2.2 Resetting all parameters to their original settings



The hours of service can not be reset to 0.

- ▶ Press and hold the  button for more than 15 seconds.

After about 5 seconds, the following message appears on the display:

**ATTENTION**

**Delete all parameters in x seconds**

Once the reset has been completed, the following message is displayed:

**Please wait... Initialising**

## 6.3 Menu structure

Main menu	Submenu			Parameters to change/select	Page	
	1.	2.	3.			
Set hour/day	Set hour/day	-	-	- Hours - Minutes - Day of week	29	
	Holidays	-	-	Days holiday	29	
Heating	Heating program	-	-	- Day - 1st operating mode - 1st switching point ... - 6th switching point	29	
	Set economy temp. (if TR2 is connected)	-	-	5...30°C	30	
	Manual (if TR2 is not connected)	-	-	- Automatic - Constant on (comfort) - Constant off (economy)	30	
Hot water	Hot water program	-	-	- Day - 1st operating mode - 1st switching point ... - 6th switching point	30	
	Hot water immediately	-	-	Off/On	30	
Info	-	-	-	-	30	
Settings	Heating	-	-	Optimum Start Off/On	31	
	Hot water (ZSBR-models)	-	-	Only charging times/times and temperatures	30	
	Service	Display service param.	Further options	Language	-English/ -Français/ -Deutsch	31
					-Time correction -LCD contrast	31 31
		Operating times	-	-	31	
		Fault history	-	-	31	

## 6.4 Setting the time/day

### 6.4.1 Setting the time and day

For details of how to set the time and day, refer to page 27.



#### Changing winter and summer time:

- ▶ Only adjust the clock! Do not alter the switching points (for heating, economy, etc.).

### 6.4.2 Holidays

In the Holiday programme, the central heating runs in Economy mode and the hot water is switched off (frost protection function remains active).

- ▶ From the main menu, select **Time/day/holidays**, and from the first submenu select **Holidays**.
- ▶ Enter the number of days holiday by pressing or (max. 99 days holiday).

After the set number of days, the text display module automatically cancels Economy mode at midnight on the last day and returns to Automatic mode.



The day on which you enter the days holiday counts as the first day of the holiday, i.e. the unit starts the holiday program immediately. Only include the day on which you are returning if you **don't** want the heating to return to the normal program on that day!

To cancel Holiday mode early:

- ▶ In the **Holidays** submenu:  
Press the button until the display shows **0**.

## 6.5 Heating

### 6.5.1 Heating programme

#### Comfort Mode:

- With TR2 Room thermostat fitted:  
Central heating is on. House will be heated to temperature set on TR2.
- Without TR2 Room thermostat fitted:  
Central heating is on. Primary water is heated to temperature set at (radiator symbol) dial.

#### Economy Mode:

- With TR2 Room thermostat fitted:  
Central heating is on. House will be heated to temperature set on "Economy mode" of Text Display.
- Without TR2 Room thermostat fitted:  
Central heating will be off.

#### Frost protection:

Central heating is off. Boiler will only fire if sensor registers temperatures below 5°C.

#### Basic setting (Automatic mode)

- The appliance switches automatically between normal heating, Economy mode and Frost protection mode according to the timer settings entered.
- Basic setting:
  - Heating starts at 6:00 am
  - Economy starts at 10:00 pm

#### Setting options

- Maximum of six switching points per day with three different operating modes (Heating, Economy, Frost protection).
- Same times for Monday to Friday.
- Same times for Saturday and Sunday.
- Different times for every day.

#### Setting switching times and operating mode

- ▶ From the main menu select **Heating** and then from the first submenu, select **Heating program**.
- ▶ Select **Monday - Friday**, Saturday and Sunday or an individual day of the week.
  - **Monday - Friday**: to have "Heating" and "Economy" or "Frost protection" switching on at the same times every weekday.
  - **Saturday - Sunday**: to have "Heating" and "Economy" or "Frost protection" switching on at the same times Saturday and Sunday.
  - Individual day of the week (e. g. **Thursday**): to have the relevant program always switching on at the specified time on that day of the week, i.e. "Heating", "Economy" or "Frost protection" at the same time every Thursday.
- ▶ Press . The display shows **Set 1. operating mode**.
- ▶ Set the desired first operating mode (Heating, Economy or Frost protection).
- ▶ Press . The display shows **Set 1. time period**.
- ▶ Set the desired first time period.
- ▶ Press . Set the following operating modes and time periods as described for the first.
- ▶ If necessary: select the next day and enter the operating modes and timer periods as described above.





If the settings for a particular day of the week are different from the settings for the other days, then if **Monday - Friday or Saturday and Sunday** is selected, the display shows **--:--**, i.e. there are no common switching points for those options.

Timer periods and operating modes are you do not wish to change can be skipped by pressing .

### 6.5.2 Setting the Economy temperature (if TR2 is connected)


This option allows you to set the room temperature for **Economy mode (Off (Economy))**.

This function is only active if:

- Automatic mode or Economy mode is set on the TR 2 room thermostat.
- ▶ From the main menu, select **Heating** and then from the first submenu, select **Set Economy temp.**.
- ▶ Use the  or  button to set a temperature between 5 and 30 °C.

### 6.5.3 Manual operating mode (if TR2 is not connected)

For selecting an operating mode that is different from the one set in the heating programme (**Automatic mode**).

- You can choose between **Automatic, Constant on (comfort)** and **Constant off (economy)**.
- The manually selected operating mode starts immediately.
- Constant off (economy) and Constant on (comfort) are automatically reset at 00.00 (midnight).
- To cancel the manually selected operating mode:
  - select the relevant menu and then press the  button,
  - or select a different operating mode,
  - or set **Holiday**.
- ▶ From the main menu select **Heating** and then from the first submenu **Manual** select required mode.

## 6.6 Hot water

### General description

- **ZSBR models (with Storage Tank):** The basic settings provide a timer programme: enable from 5:00 am, disable from 10:00 pm. With the menu **Hot water** (see page 31) you can choose a timer-/temperature programme with the basic settings: 60°C from 5:00 am, 10°C from 10:00 pm.



#### 6.6.1 Hot water programme

- Up to six switching points per day can be set.
- There are two operating modes: Blocked and Released.
- ▶ From the main menu, select **Hot water** and then from the first submenu, select **Hot water program**.
- ▶ Set the days of the week, Blocked/Released (operating mode) in the same way as for the switching points and modes for heating as described on page 29.

#### 6.6.2 Hot water immediately

- **Hot water immediately ON:**
  - Comfort mode is active for 2 hours.

- **Comfort mode is active for 2 hours:** normal automatic program (Hot water mode according to timer programme entered).

- ▶ From the main menu, select **Hot water** and then from the first submenu, select **Hot water immediately**.
- ▶ Press  or  to switch **Hot water immediately** on or off.

## 6.7 i Info

- ▶ Select **Info** from the main menu.



You can view the following information:

Display text	Description
<b>Room temperature</b> (if TR 2 connected)	Current temperature in the room where TR 2 is installed
<b>Required room temperature</b> (if TR 2 connected)	Required temperature in room where TR 2 is installed
<b>Operating mode</b> (if TR 2 connected)	E. g. Heating, Economy in Automatic mode or Economy, Heating, Frost protection in manual mode
<b>Max. flow temp.</b>	Maximum CH flow temperature set on the temperature control for CH flow
<b>Actual flow temp.</b>	Actual CH flow temperature
<b>Required flow temp.</b>	Required CH flow temperature
<b>Max HW temp.</b>	Maximum permissible hot water outflow temperature
<b>Required HW temp.</b>	Required hot water temperature
<b>Actual HW temp.</b>	Actual hot water outflow temperature
<b>Storage Tank charge released or blocked</b>	Shows, if hot water is released or blocked
<b>Storage Tank charge on or off or Storage Tank charge afterrunning</b>	Shows, if hot water is on or off, or if the pump for the Storage Tank afterrunning is on
<b>Boiler operat. mode winter/ summer</b>	Indicates which mode the CH flow temperature control is set to
<b>Burner on/off</b>	Indicates whether the burner is alight or not
<b>Pump on/off</b>	Indicates whether the integral pump is switched on or off

## 6.8 Settings

### 6.8.1 Heating (if TR 2 is connected)



#### Optimum Start

- ▶ From the main menu, select **Settings** and from the first submenu, select **Heating**.
- ▶ Press  or  to switch Optimum Start on or off.


Basic setting: "ON"

### 6.8.2 Hot Water Storage Tank

The text display can control the hot water either with **Times and temperatures** or **only times**.

- **Times and temperatures:** One can choose up to six different times with temperatures, see page 30 "Hot water".
- **Only times:** During that times the Storage Tank will be charged to the choosed temperature.
- ▶ From the main menu, select **Settings** and from the first submenu select **hot water**.
- ▶ Press  or  to switch Times and temperatures or **only times**.



Turn the hot water temperature control  always higher than the temperature at the text display is choosen.

### 6.8.3 Service



#### Displaying service functions

This option displays various current settings and statuses of the electrically controlled appliance and system components for the benefit of the heating engineer.

#### Service parameters

Language





Available languages are: English, Français (French), Deutsch (German).



- ▶ From the main menu, select **Settings**, from the first submenu select **Service**, from the Second submenu select **Further options**, and from the third submenu select **Language**.
- ▶ Press  or  to select the desired language.

Two other supplementary functions can be selected from the third submenu Language:

- Time correction
- LCD contrast.







Time correction:

- ▶ Press and hold the  button (about 5 seconds) until the display shows **Time correction and LCD contrast**.
- ▶ Press  or  to select **Time correction**.
- ▶ Press the  button. The display shows **Change value**.

- ▶ Press  or  to set the number of seconds in 24 hours.

Basic setting: "+ 0 s"

LCD contrast:

- ▶ Press and hold the  button (about 5 seconds) until the display shows **Time correction and LCD contrast**.
- ▶ Press  or  to select **LCD contrast**.
- ▶ Press the  button. The display shows **Change value**.
- ▶ Press  or  to adjust the **LCD contrast**.

Basic setting: e. g. "47"

Operating times

This option shows the hours of service (appliance, burner and hot water) since commissioning.

- ▶ From the main menu, select **Settings**, from the first submenu select **Service**, from the Second submenu select **Further options**, and from the third submenu select **Operating times**.

Fault history

This option displays any faults that have occurred for the information of the service engineer. The first fault displayed may still be active. Any other faults displayed are no longer active.

- ▶ From the main menu, select **Settings**, from the first submenu select **Service**, from the Second submenu select **Further options**, and from the third submenu select **Fault history**.

## 6.9 Individual timer programmes

Tables for your own timer programmes you find in the User Manual.

## 7 Individual settings

### 7.1 Mechanical settings

#### 7.1.1 Checking the size of the expansion vessel

Maximum pressure at maximum CH flow temperature is 2.5 bar. If the pressure is greater than this then fit an extra expansion vessel. Refer to table 11.

#### System Capacity - BS7074:1

Expansion Vessel Pressure and System Capacity			
Expansion Vessel	litres		10
Expansion Vessel Charge Pressure	bar		0.75
System pressure and capacity	1 bar	litres	82
	1.5 bar	litres	46

Table 11

#### 7.1.2 Setting the central heating flow temperature

The central heating flow temperature can be set to between 35°C and 88°C.



With underfloor heating systems, observe the maximum permissible flow temperatures.

#### Limited maximum setting for low-temperature operation

The temperature control is factory limited to setting **E**, giving a maximum flow temperature of 75°C.

Adjustment of the heating output to the calculated heat demand is not required by the heating systems regulations.

#### Removing the maximum setting limit

For heating systems which require higher flow temperatures, the maximum setting limit can be removed.

- ▶ Lift off the yellow button on the temperature control with a screwdriver.

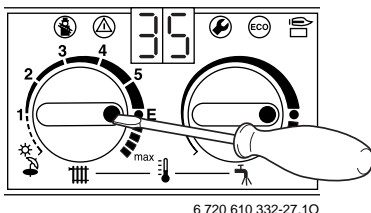


Fig. 40

#### Setting service functions

- ▶ Rotate yellow button through 180° and replace (dot facing inwards).  
The CH flow temperature is no longer limited.

Control setting	CH flow temperature
1	approx. 35°C
2	approx. 43°C
3	approx. 51°C
4	approx. 59°C
5	approx. 67°C
<b>E</b>	<b>approx. 75°C</b>
max	approx. 88°C

Table 12

### 7.2 Settings on the Bosch Heatronic

#### 7.2.1 General description

The text display module provides a convenient means of setting various appliance functions.

This description is limited to those functions necessary for commissioning.

Service function	Code no.	see page
Anti-cycle time	<b>2.4</b>	33
Max. CH flow temp.	<b>2.5</b>	33
Max. heating output	<b>5.0</b>	33
Variable pump settings	<b>7.0</b>	33

Table 13



For a detailed description, refer to Service Booklet for the Engineer 7 181 465 347.










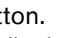









#### Displaying service functions

All service functions are displayed.

- ▶ Press any button to activate the main menu.
- ▶ Press or button until the arrow cursor is pointing to **Settings**.
- ▶ Press the button.
- ▶ Press or button until the arrow cursor is pointing to **Service**.
- ▶ Press the button.
- ▶ Press the button to select **Display service parameters**.  
Service function **0.0, Last fault** is displayed.
- ▶ Press the or button to cycle through the current settings.
- ▶ Press the button to exit the menu.

Only the service functions that can be set are displayed.



- ▶ Press any button to activate the main menu.
  - ▶ Press  or  button until the arrow cursor is pointing to **Settings**.
  - ▶ Press the  button.
  - ▶ Press  oder  button until the arrow cursor is pointing to **Service**.
  - ▶ Press the  button.  
The cursor is pointing to **Display service parameters**.
  - ▶ Press and hold the  button (for about 5 seconds) until the display shows **Adjust service parameters** and the first service function to be set, e.g. **2.0, Operating mode**. If a fault has occurred, the display will show 0.0 and the last fault.
  - ▶ Press the  or  button until the desired service function is displayed.
  - ▶ Press the  button.  
The first line of the display shows **Change value**.
  - ▶ Use the  or  buttons to enter the required setting.
  - ▶ Press the  button.  
The text display shows **ATTENTION Store settings?**
  - ▶ Press  or  to select **yes** or **no**.
  - ▶ Press  to confirm your selection.  
The text display shows **Please wait ...**, and the service function is then displayed with the new setting.
  - ▶ Press the  or  button until the next function you wish to change is displayed.
- or-**
- ▶ Press the  button to exit the menu.

### 7.2.2 Setting the anti-cycle time (Service Function 2.4)

This service function is only active if Service Function 2.7, automatic anti-cycle time, is deactivated.

The anti-cycle time can be set to between 0 and 15 minutes (is factory set to 3 minutes).

If the setting 0 is entered, the anti-cycle time is inactive.

The shortest possible anti-cycle time is 1 minute (recommended for single-pipe and hot-air heating systems).



If the appliance is connected to an outside-temperature controlled heating programmer, the anti-cycle time does not need to be set on the appliance and is optimised by the programmer instead.

### 7.2.3 Setting the maximum CH flow temperature (Service Function 2.5)

The maximum CH flow temperature can be set to between 35°C and 88°C (factory setting).

### 7.2.4 Setting the heating output (Service Function 5.0)

The heating output can be set to any level between min. rated heat output and max rated heat output to limit it to the specific heat requirements.



The full rated heat output is still available for hot water or charging the hot water cylinder even if the heating output has been limited.

The factory setting is the max. rated heat output, 100 %.

- ▶ Look up heating output in kW and corresponding code number on the settings tables for heating output (see page 46).
- ▶ Enter the code number on the text display module.
- ▶ Measure the gas flow rate and compare with the figures specified for the code number shown. If different, correct code number.

### 7.2.5 Variable pump settings (Service Function 7.0)

The pump speed varies automatically to match the water flow requirement of the system determined by the position of thermostatic radiator valves. An automatic by-pass must not be used.

The Service Function 7.0 is factory set to 4 which will accommodate the majority of heating systems.

Information on the re-settings of this functions can be found in the Service Booklet for the Engineer number 7 181 465 347.

### 7.3 Setting the gas/air ratio

The appliance is set at the factory and adjustment to the CO<sub>2</sub> settings (gas/air ratio) is only required where the appliance has been stripped down and assembled or if the fan, burner or gas valve are replaced or the appliance has been converted to a different gas type, see section 8.

## 8 Converting the appliance to different gas types

The setting is factory sealed at maximum. Adjustment to the rated heat input and min. heat input is not necessary.

### Checking the gas supply pressure

- ▶ Check the gas supply pressure at the gas supply pressure testing point.



Natural gas appliances must not be operated if the gas supply pressure is below 18 mbar or above 24 mbar.  
LPG appliances must not be operated if the supply pressure is below or above 37 mbar.

### Natural gas

- Appliances for **natural gas type G20** are factory set to Wobbe-Index 15 kWh/m<sup>3</sup> and 20 mbar supply pressure and sealed.

### 8.1 Setting the gas/air ratio

The gas/air ratio may only be adjusted on the basis of a CO<sub>2</sub> measurement at max. heat output and min. heat output using an electronic tester.

- ▶ Switch off the appliance at the master switch (O).
- ▶ Remove the outer case (see page 15, refer to fig. 13).
- ▶ Switch on the appliance at the master switch (I).
- ▶ Unscrew sealing plug from flue gas testing point (234). Refer to fig. 41.
- ▶ Insert testing probe about 135 mm into the flue gas testing point and seal testing point.

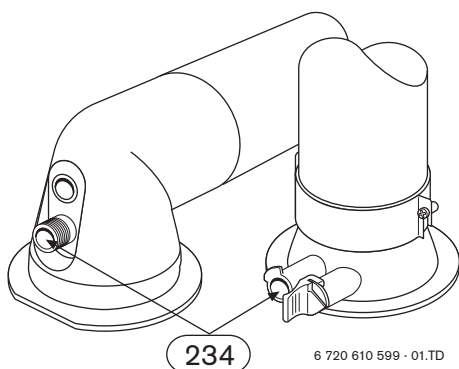


Fig. 41

- ▶ On the text display unit, select in the main menu **Settings, Service, Display service parameters**.
- ▶ Press and hold the button (for about 5 seconds) until the display shows **Adjust service parameters** and the first service function to be set, **2.0 Operating mode**. If a fault has occurred, the display will show 0.0 and the last fault.
- ▶ Press or until the display shows **2.0**

### Operating mode normal.

- ▶ Press the button.
- ▶ Press or to select Max.
- ▶ Measure the CO<sub>2</sub> level.
- ▶ Prise off the seal on the gas flow restrictor.
- ▶ Adjust the gas flow restrictor (63) to obtain the CO<sub>2</sub> level given in Table 14. Refer to fig. 42.

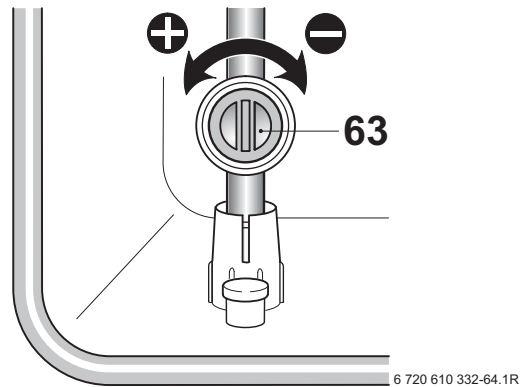


Fig. 42

ZSBR 7-28		
Gas Type	CO <sub>2</sub> reading at max. rated heat output	CO <sub>2</sub> reading at min. rated heat output
Natural gas type G20	9.2 %	8.8 %
LPG G31 (propane)	10.8 %	10.5 %

Table 14

- ▶ Press or to select Min.
- ▶ Measure the CO<sub>2</sub> level.
- ▶ Remove the seal from the gas valve adjusting screw (64) and adjust the CO<sub>2</sub> level to the figure given in Table 14 for min. rated heat output. Refer to fig. 43.

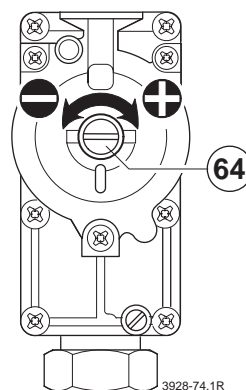







Fig. 43

- ▶ Recheck the levels at min. and max. rated heat output and re-adjust if necessary.



- ▶ Press  or  until the display shows **normal**.
- ▶ Press the  button. The text display shows **Store settings**.
- ▶ Press  to select **yes**.
- ▶ Press the  button.
- ▶ Remove testing probe from the flue gas testing point (234) and refit sealing plug.
- ▶ Re-seal gas valve adjusting screw and gas flow restrictor.
- ▶ Replace the outer case by locating it on the top lugs and pushing backwards until the bottom clips are fully engaged. Check that the case is properly aligned with fascia. Refer to fig. 13.
- ▶ Secure by replacing the screw at the bottom left. Refer to fig. 13.

## 8.2 Testing combustion air/flue gas at set heat output

### 8.2.1 Testing the O<sub>2</sub> or CO<sub>2</sub> level in the combustion air



By testing the O<sub>2</sub> or CO<sub>2</sub> level in the combustion air the gas tightness of a type C<sub>13</sub> or C<sub>33</sub> **flue system** can be checked. The O<sub>2</sub> level must not be less than 20,6 %. The CO<sub>2</sub> level must not exceed 0,2 %.

- ▶ Press and hold the  button until the display shows --. "Chimney sweep" mode is now active. The  button will light up and the display shows the CH flow temperature.



In "chimney sweep" mode, the appliance switches to max. rated heat output or the set heating output. You then have 15 minutes in which to measure the levels. After that, the appliance switches back from "chimney sweep" mode to normal mode.

- ▶ Remove sealing plug from combustion air testing point (234.1, fig. 44).
- ▶ Insert testing probe about 80 mm into the testing point and seal testing point.

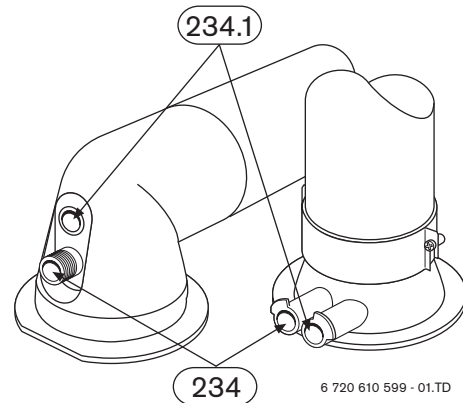






Fig. 44



- ▶ Measure O<sub>2</sub> and CO<sub>2</sub> levels.
- ▶ Refit sealing plug.
- ▶ Press and hold  button until the display shows --. The  button will stop flashing and the display shows the CH flow temperature.

### 8.2.2 Testing CO and CO<sub>2</sub>

- ▶ Press and hold the  button until the display shows --. "Chimney sweep" mode is now active. The  button will light up and the display shows the CH flow temperature.



You have 15 minutes in which to measure the levels. After that, the appliance switches back from "chimney sweep" mode to normal mode.

- ▶ Remove sealing plug from flue gas testing point (234, fig. 44).
- ▶ Insert testing probe about 135 mm into the testing point and seal testing point.
- ▶ CO- and CO<sub>2</sub> levels.
- ▶ Refit sealing plug.
- ▶ Press and hold  button until the display shows --. The  button will stop flashing and the display shows the CH flow temperature.

### 9 Maintenance



- ▶ Always disconnect the appliance from the electrical power supply (fuse, circuit breaker) before carrying out any work on the electrical systems or components.



- ▶ Always turn off the gas cock before carrying out any work on components which carry gas.



There is a Service booklet for the Engineer, order no. 8 716 103 143, available to competent persons.

---



All safety and control systems are monitored by the Bosch Heatronic. In the event of a component fault, the textdisplay shows a fault code.

---

- ▶ The User should be recommended to have the appliance serviced regularly by a competent person.
- ▶ Use only genuine spare parts
- ▶ Refer to the Spare Parts List when ordering spare parts.
- ▶ Always renew seals and O-rings removed during servicing or repair work.
- ▶ Use only the following types of grease:
  - Water valve: WRAS approved silicon based grease
  - Unions: approved sealant.
- ▶ To drain the appliance shut the system valves and open the pressure relief valve.
- ▶ Upon completion of any electrical work check for earth continuity, correct polarisation and resistance to earth.

#### **Replace the text display module or the Heatronic PCB**

If the text display module is replaced, the service function settings are retained.

- ▶ The remaining settings have to be re-entered.

If the Heatronic PCB is replaced:

- ▶ Re-enter the service function settings as recorded in the commissioning record.

## 9.1 Pre-Service Check List

		Date							
1	Call up the last fault stored by the text-display , (see page 31).								
2	Check ionisation current, Service Function <b>3.3</b> , (see page 38).								
3	Perform visual check of air/flue duct. Visual check of diaphragm for soiling and splits (see page 40).								
4	Check gas supply pressure (see page 34).	mbar							
5	Test combustion air/flue gas (see page 35).								
6	Check CO <sub>2</sub> setting for min./max. (gas/air ratio) (see page 35).	min. % max. %							
7	Check gas and water systems for leaks (see page 16).								
8	Check heat exchanger (see page 38).	mbar							
9	Check burner (see page 39).								
10	Clean condensation trap (see page 39).								
11	Check charge pressure of expansion vessel matches static head of heating system.	mbar							
12	Check central heating system pressure.	mbar							
13	Check electrical wiring for damage.								
14	Check heating programmer settings in the textdisplay.								
15	Check appliances that are part of the heating system.								

Table 15

## 9.2 Description of servicing operations

The combustion performance must be checked before and after any servicing work on the combustion and burner components. Refer to section 8.2.

### Checking the ionisation current, Service Function 3.3

- ▶ Select Service Function **3.3**. (See page 32 “Displaying Service Functions”)

If the display shows 2 or 3, the ionisation current is OK. If the display shows 0 or 1, the electrode assembly (32.1, page 6) must be cleaned or replaced.

### Primary Heat exchanger

There is a special accessory kit (no. 840) for cleaning the heat exchanger, order no. 7 719 001 996.

- ▶ Check control pressure on the air - gas mixer unit at max. rated heat output using an electronic manometer.

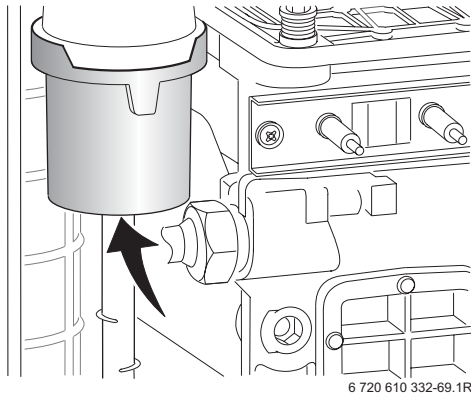


Fig. 45



The heat exchanger should only be cleaned if the control pressure is **2.2 mbar** (depression) or less.

- ▶ Remove cleaning access cover (415, page 6) and the metal plate below it, if present. Refer to fig. 2.
- ▶ Unscrew condensation trap and place suitable container underneath. Refer to fig. 46.

- ▶ Remove the fan and the burner as described in the text headed “Burner” (see page 39).

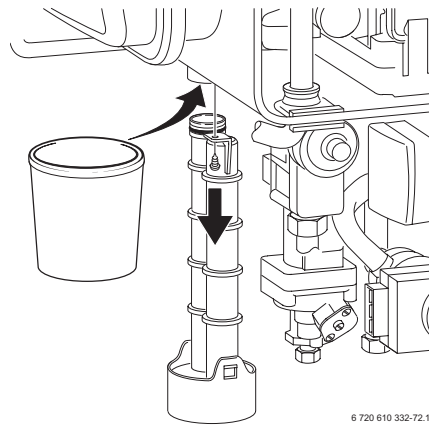


Fig. 46

- ▶ Loosen any deposits in the heat exchanger from top to bottom using the cleaning blade. Refer to fig. 47.

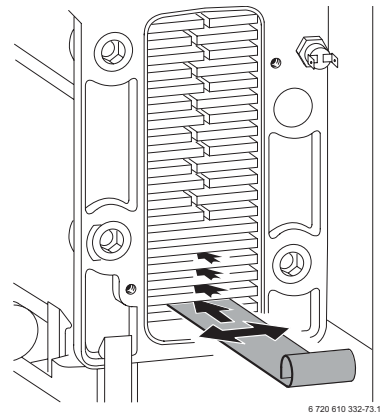


Fig. 47

- ▶ Clean the heat exchanger from top to bottom using the brush. Refer to fig. 48.

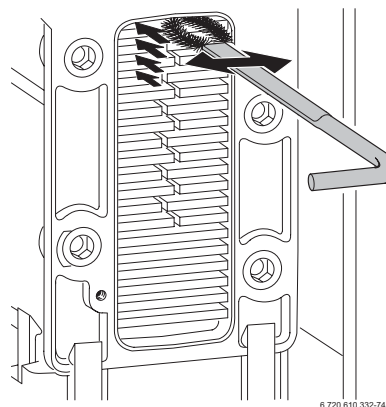


Fig. 48

- ▶ Flush the heat exchanger from the top. Refer to fig. 49.

- ▶ Clean out the condensate collector and trap connection (with other end of brush).

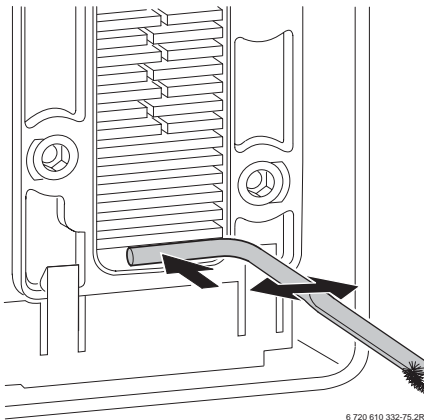


Fig. 49

- ▶ Refit the clean-out cover using a new seal and tighten screws to torque of approx. 5 Nm.

### Burner

- ▶ Check that the gas cock is turned off and the master switch is in the OFF position.
- ▶ Remove the clips (1.) and unscrew the two bolts (2.). Refer to fig. 50.
- ▶ Unscrew and remove the two hexagon screws securing the fan (3.).
- ▶ Slacken fully the rear securing bolt (4.).
- ▶ Remove the burner coverplate.

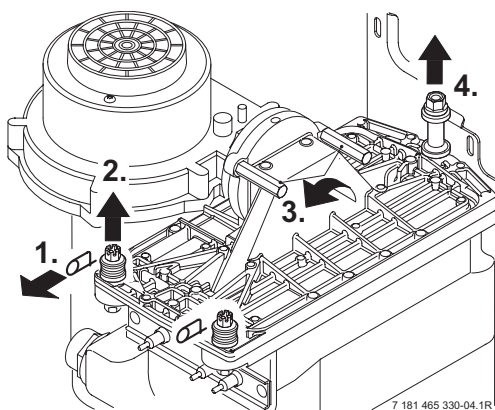


Fig. 50

- ▶ Remove the burner skin and clean components. Do not use a wire brush. Refer to fig. 51.

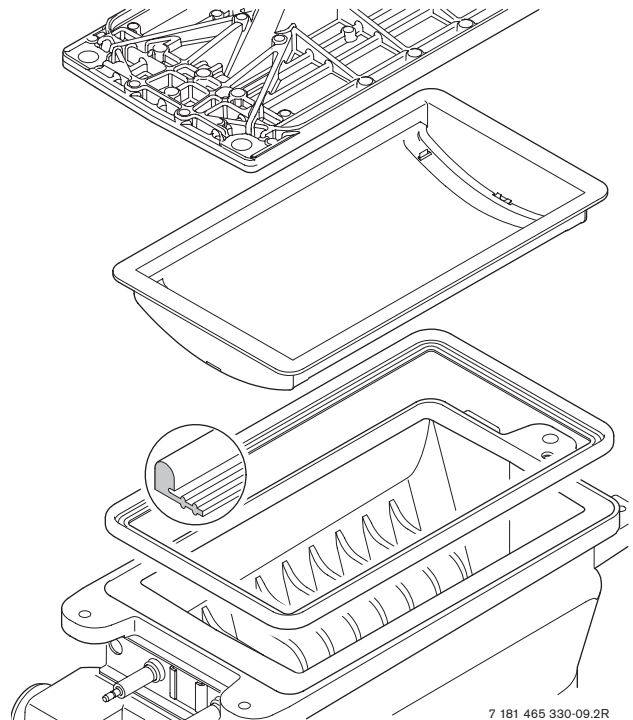


Fig. 51

- ▶ Re-assemble burner in reverse order using a new seal.
- ▶ Adjust gas/air ratio (see page 34). Refer to section 8.2.

### Condensation trap

In order to prevent spillage of condensate the condensation trap should be completely removed, (see page 38, fig. 46).

- ▶ Unscrew condensation trap and check connection to heat exchanger is clear.
- ▶ Remove condensation trap cover and clean.
- ▶ Fill condensation trap with approx. 1/4 l of water and refit.

### Electrode assembly

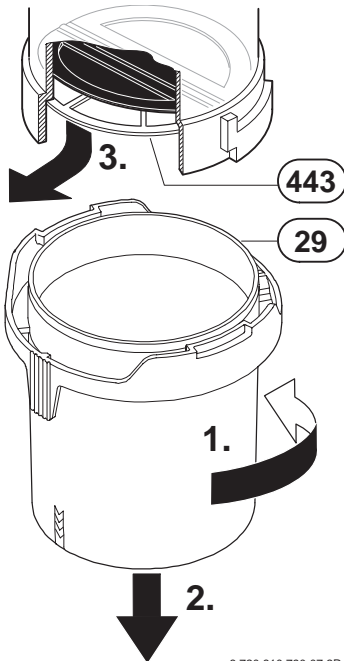
- ▶ Switch off the master switch.
- ▶ Pull off the leads from the electrodes. Refer to fig. 2.
- ▶ Unscrew the two fixing screws and carefully remove the electrode assembly. Refer to fig. 45.
- ▶ Clean the electrodes with a non-metallic brush. (The spark gap should be  $4,5 \text{ mm} \pm 0,5 \text{ mm}$ .)
- ▶ Replace and re-connect the assembly taking care not to mislay the inspection window.

### Diaphragm in mixer unit



- ▶ Take care not to damage diaphragm (443) when removing and refitting it.

- ▶ Open mixer unit (29).
- ▶ Carefully withdraw diaphragm (443) from fan intake tube and check for soiling and splits.



6 720 610 790-07.2R

Fig. 52

- ▶ Carefully refit diaphragm (443) the correct way round into the fan intake tube.



The flaps of the diaphragm (443) must open upwards.

- ▶ Seal the mixer unit (29).

### Siphon

- ▶ Unscrew the clip and disconnect the pipe to the siphon.
- ▶ Remove the drain plug to drain the siphon.
- ▶ Unscrew the securing nut from beneath the side facia and remove the siphon. Refer to figure below.

- ▶ Refit and prime the siphon.

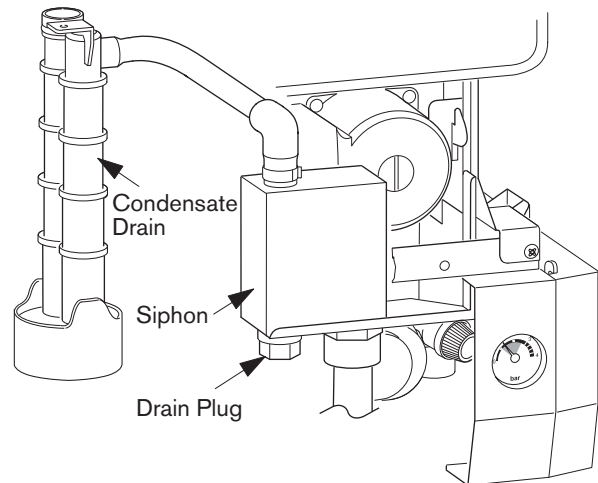


Fig. 53

### Expansion vessel

The expansion vessel should be checked once a year.

- ▶ Depressurise appliance.
- ▶ If necessary, adjust expansion vessel charge pressure to static head of the heating system.

### Heating system pressure



Fill the system using the WRAS approved filling loop.

- ▶ The pointer on the pressure gauge should be 1 bar.
- ▶ If the pointer is below 1 bar (when the system is cold), water should be added until the pointer is 1 bar again.
- ▶ **Max. pressure** of 2.5 bar when the heating system water is at maximum temperature must not be exceeded. If this pressure is exceeded then an extra expansion vessel must be fitted in the system return as close to the appliance as possible.
- ▶ If the system does not retain the pressure, the expansion vessel and the heating system should be checked for leaks.



## 9.3 Replacement of Parts

Before changing any components check that the gas is turned off and that the appliance is electrically isolated. When necessary close the system valves and drain the appliance.

Refitting is a reverse of the procedure for removal using new seals or o-rings as appropriate.

### 9.3.1 PCB control board and transformer

- ▶ Switch off the appliance.
- ▶ Disconnect appliance from the power supply.
- ▶ Unplug all connectors from the control box (inc. keyed plug). Access is gained by removing the covers. Refer to fig. 25, 26.
- ▶ Remove screw holding power connector earth lead and remove earth lead.
- ▶ Remove two top fixing screws from the control box. Refer to fig. 54.

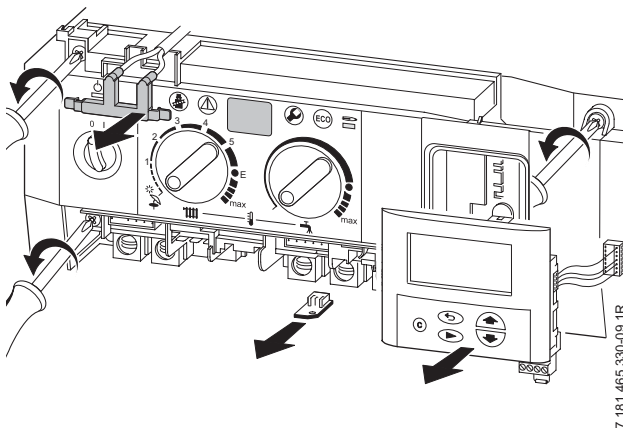


Fig. 54

- ▶ Lower the control box.
- ▶ Unscrew earth lead.
- ▶ Unscrew four fixing screws from cover plate. Refer to fig. 55.
- ▶ Prise off cover plate.
- ▶ Pull off transformer.
- ▶ Remove pcb holder.

- ▶ Remove the pcb control board.

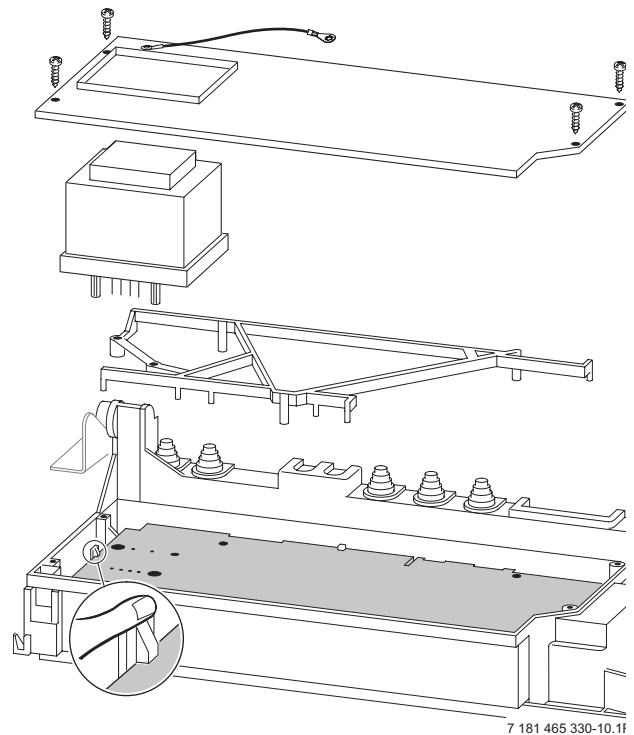


Fig. 55

### Fuses

- ▶ Remove the connections covers. Refer to fig. 25, 26.

The fuses are located adjacent to the mains connector block and connector ST18. Refer to fig. 4.

Fuse, item 312, is only replaceable by removing the pcb.

Spare fuses are fixed to the connections cover.

A fuse pack is available: Part number 8 744 503 010 0.

### 9.3.2 Fan Assembly

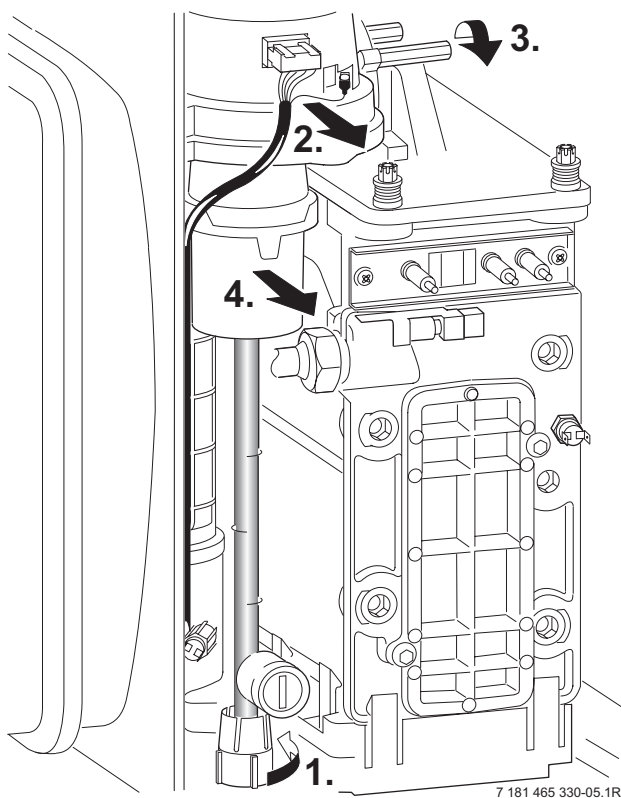


Fig. 56

- ▶ Switch off the appliance.
- ▶ Disconnect the appliance from the power supply.
- ▶ Undo lower pipe union on gas pipe (1.). Refer to fig. 56.
- ▶ Remove fan lead and earth connector (2.). The earth connector has a positive clip fixing.
- ▶ Remove fixing screws attaching fan to the burner cover (3.).
- ▶ Remove fan together with gas pipe and mixer unit.
- ▶ Separate the fan from the pipe and mixer unit by twisting the mixer unit to release it (4.).

### 9.3.3 Pump

- ▶ Switch off the appliance.
- ▶ Disconnect the appliance from the power supply.
- ▶ Remove two switchbox fixing screws (1.). Refer to fig. 57.
- ▶ Lower switchbox (2.).
- ▶ Remove screw from underside of right-hand plastic cover plate (3.).
- ▶ Pull cover plate forwards to remove (4.).
- ▶ Unscrew and remove the the siphon by releasing the jubilee clip. Refer to fig. 53.
- ▶ Unscrew the pump union nuts (5.). Refer to fig. 57.
- ▶ Carefully remove the pump and disconnect the leads.

#### Alternatively

- ▶ After removing the siphon release the four Allen screws and remove and replace the pump head.

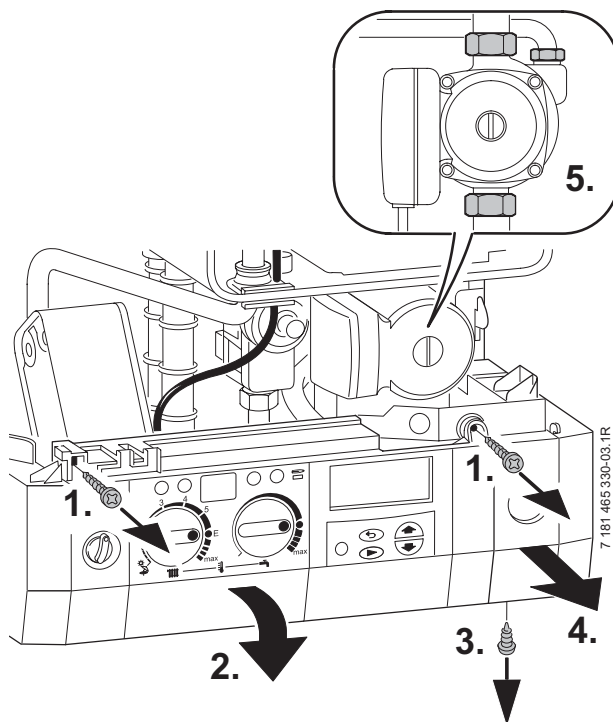
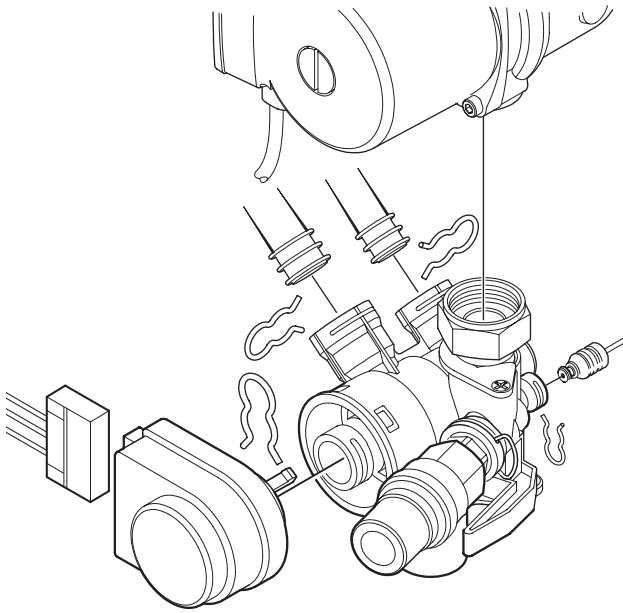


Fig. 57

### 9.3.4 3-way diverter valve

- ▶ Switch off the appliance.
- ▶ Disconnect appliance from the power supply.
- ▶ Turn off service cocks.
- ▶ Unplug connector from 3-way valve motor. Refer to fig. 58.
- ▶ Pull out retaining clip.
- ▶ Remove motor.
- ▶ Disconnect the relief valve drain.
- ▶ Disconnect the pressure gauge by withdrawing the clip and pulling out the capillary head.

- ▶ Undo pipe unions by withdrawing the clips.
- ▶ Remove 3-way valve.



7 181 465 330-12.1R

Fig. 58

After refitting:

- ▶ Fill system, bleed and re-pressurise (see Installation Instructions).

### 9.3.5 3-way diverter valve motor

- ▶ Switch off the appliance.
- ▶ Turn off the service cocks.
- ▶ Unplug connector from 3-way valve motor. Refer to fig. 58.
- ▶ Pull out retaining clip.
- ▶ Remove motor.

### 9.3.6 Sensors

- ▶ Check that the appliance is electrically isolated.

#### Central Heating Flow Temperature Sensor – Item 36, fig. 2, 54

- ▶ Pull-off the connector.
- ▶ Release the sensor clip and withdraw the sensor.
- ▶ Apply heat transfer paste to the replacement sensor.

#### Safety Temperature Limiter – Item 6, fig. 2, 54

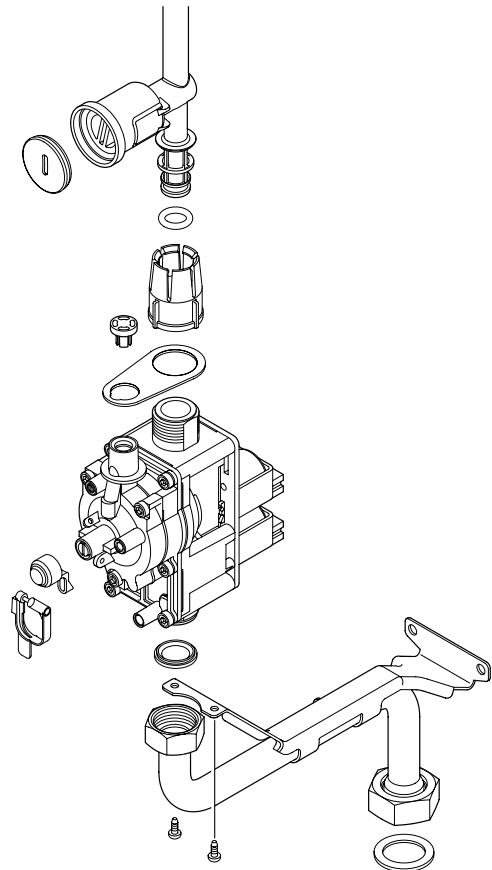
- ▶ Pull-off the connectors.
- ▶ Unscrew the sensor.

#### Flue Temperature Limiter – Item 9, fig. 2, 54

- ▶ Pull-off the connectors.
- ▶ Unscrew the sensor.

### 9.3.7 Gas Valve

- ▶ Check that the gas cock is turned off.
- ▶ Lower the control panel. Refer to fig. 57.
- ▶ Pull off the solenoid connections at the rear of the valve.
- ▶ Undo the union, within the inner casing, securing the valve to the gas/air tube. Refer to fig. 56.
- ▶ Remove the white plastic cap from the gas valve.
- ▶ Release the gas inlet union at the manifold assembly.
- ▶ Unscrew the two screws securing the gas valve assembly bracket to the back panel and withdraw the assembly.
- ▶ Transfer the bracket and inlet pipe assembly to the new gas valve.
- ▶ Check for gas soundness when the new gas valve has been fitted.
- ▶ Recheck the combustion performance as described in section 8.1.



6 720 610 602 - 04.10

Fig. 59

### 9.3.8 Electrode assembly

- ▶ Refer to section 9.2.
- ▶ Use a new seal if the existing seal is damaged.

### 9.3.9 Pressure gauge

- ▶ Drain the appliance.
- ▶ Lower the facia. Refer to fig. 57.
- ▶ Twist the pressure gauge head anti-clockwise to release it from the casing. Refer to fig. 2.
- ▶ Disconnect the capillary head from the rear of the diverter valve by withdrawing the clip and pulling out the head. Refer to fig. 58.

### 9.3.10 Expansion vessel

- ▶ Drain the appliance.
- ▶ Undo the union connection at the base of the vessel. Refer to fig. 2.
- ▶ Unscrew the top and bottom fixing screws and remove the vessel.
- ▶ Set the pressure of the new vessel to that required by the system.

### 9.3.11 Pressure Relief Valve

- ▶ Drain the appliance.
- ▶ Disconnect the drain pipe from the valve. Refer to fig. 30.
- ▶ Pull-out the clip securing the valve.
- ▶ Pull-out the valve.
- ▶ Ensure that the replacement valve is fully entered before fitting the clip.

### 9.3.12 Burner

- ▶ Refer to section 9.2.

### 9.3.13 Primary Heat Exchanger

- ▶ Drain the appliance.
- ▶ Check that the gas supply is turned off.
- ▶ Check that the appliance is electrically isolated.
- ▶ Remove the fan assembly complete with the gas/air tube and mixer assembly. Refer to section 9.3.2.
- ▶ Remove the burner. Refer to section 9.2.
- ▶ Disconnect the sensors. Refer to section 9.3.6.
- ▶ Undo the central heating flow union.
- ▶ Undo the top connection of the pump. Refer to fig. 57.
- ▶ Undo the grey plastic cap, next to the top pump connection at the base of the heat exchanger.
- ▶ Unscrew and remove the condensate trap. Refer to section 9.2.
- ▶ Unscrew and remove the two screws securing the heat exchanger top bracket to the rear panel.
- ▶ Lift up the flue duct, item 271, refer to fig. 2.

- ▶ Pull forward from the top and lift the heat exchanger from the casing.
- ▶ Transfer components, as necessary, to the new heat exchanger.
- ▶ Ensure that all the seals are in place and all of the connections are tight before re-commissioning the appliance.

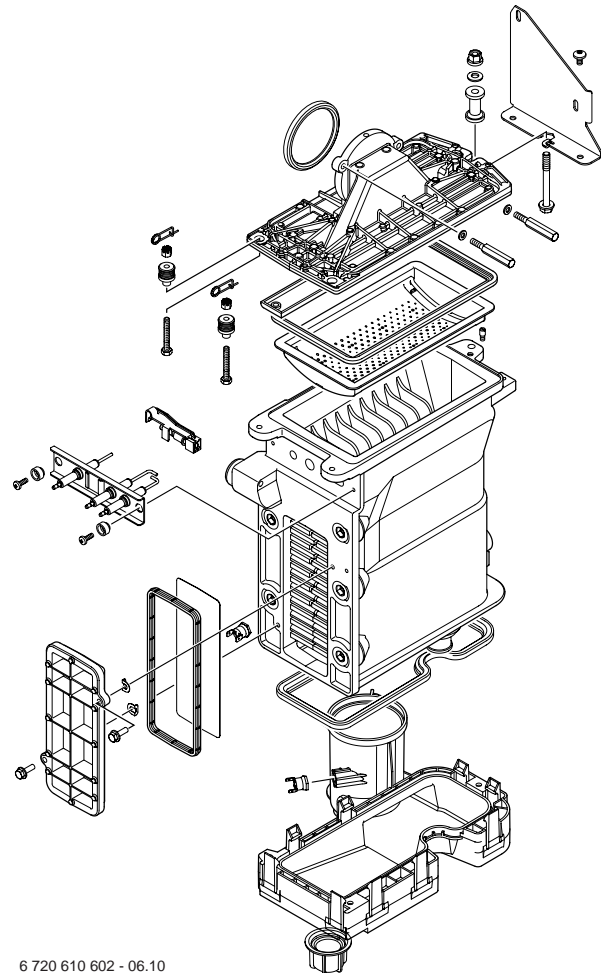


Fig. 60

## 10 Appendix

### 10.1 Fault Codes

More detailed fault finding procedures are described in the Service Booklet for the Engineer number 7 181 465 347.

Display code	Description	Remedy
<b>A1</b>	Pump has run dry	Check system pressure, add water and bleed system as necessary
<b>A8</b>	Break in communication	Check connecting lead to TR2
<b>b1</b>	Keyed plug not detected.	Insert keyed plug correctly, test and replace if necessary.
<b>C1</b>	Fan speed too low.	Check fan lead and connector, and fan; replace as necessary.
<b>d3</b>	Jumper 8-9 not detected.	Connector not connected, link missing, underfloor heating limiter tripped.
<b>E2</b>	CH flow NTC sensor defective	Check CH flow NTC sensor and connecting lead.
<b>E9</b>	Safety temp. limiter in CH flow has tripped.	Check system pressure, check safety temp. limiters, check pump operation, check fuse on pcb, bleed appliance.
<b>EA</b>	Flame not detected.	Is gas cock turned on? Check gas supply pressure, power supply, igniter electrode and lead, ionisation sensing electrode and lead, flue duct and CO2 level.
<b>F0</b>	Internal error.	Check electrical connector contacts, programmer interface module ignition leads and bus module are not loose; replace pcb or bus module if necessary.
<b>F7</b>	Flame detected even though appliance switched off.	Check electrode assembly, dry pcb. Flue clear?
<b>FA</b>	Flame detected after gas shut off.	Check gas valve and wiring to gas valve. Clean condensation trap and check electrode assembly. Flue clear?
<b>FC</b>	Textdisplay not detected.	Check connecting lead between Textdisplay and Heatronic, change Textdisplay
<b>Fd</b>	Reset button pressed by mistake.	Press reset button again
<b>P1, P2, P3, P1...</b>	Please wait, initialisation in progress.	24 V fuse blown. Replace fuse.

Table 16

## 10.2 Short parts list

Key	Description	Qty GC	Spare part number
1	Sensor - Flue gas temp.	1	8 722 963 858 0
2	Sensor - CH flow temp.	1	8 714 500 087 0
3	Control board	1	8 748 300 495 0
4	Gas valve	1	8 747 003 516 0
5	Fan assembly	1	8 717 204 373 0
6	Fan washer	1	8 729 000 183 0
7	Expansion vessel	1	8 715 407 236 0
8	Relief valve	1	8 717 401 012 0
9	Electrode assembly	1	8 718 107 077 0
10	Electrode lead	1	8 714 401 999 0
11	Pump	1	8 717 204 477 0
12	Pressure gauge	1	8 717 208 079 0
13	Burner skin seal	1	8 711 004 168 0
14	Transformer - facia	1	8 747 201 358 0
15	Flow switch	1	8 717 002 110 0
16	3-way diverter valve	1	8 717 010 062 0
17	Heat exchanger washer	1	8 710 103 153 0
18	Washer set Condensation Trap	1	8 710 103 154 0
19	Fuse set	1	8 744 503 010 0
20	Service set Water Valve	1	8 710 503 031 0
21	Text Display	1	8 747 208 103 0
22	Primary heat exchanger	1	8 715 406 615 0
23	Diaphragm	1	8 715 505 801 0

Table 17

### 10.3 Heating/hot water output settings N.G.

Display code	Heat output, kW	Heat input, kW	Natural gas G20 Gas vol. flow rate (l/min at $t_V/t_R = 80/60^\circ\text{C}$ )
30	8.2	8.3	14.5
40	11.0	11.1	19.4
50	13.7	13.9	24.2
60	16.4	16.6	29.1
70	19.2	19.4	33.9
80	21.9	22.2	38.8
90	24.7	24.9	43.6
100	27.4	27.7	48.5

Table 18

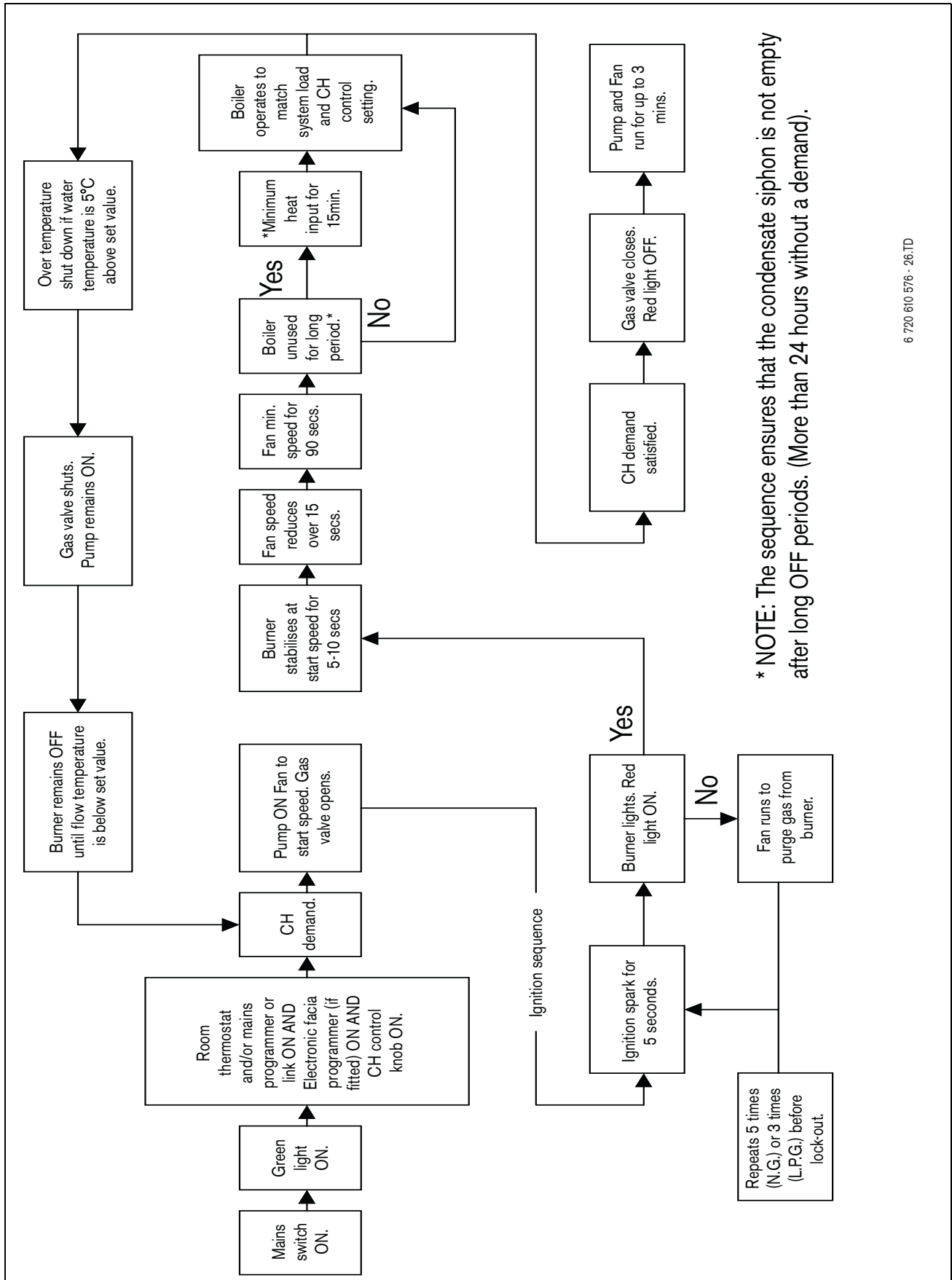
### 10.4 Heating/hot water output settings L.P.G

Display code	Propane	
	Heat output kW	Heat input kW
40	11.0	11.1
50	13.7	13.9
60	16.4	16.6
70	19.2	19.4
80	21.9	22.2
90	24.7	24.9
100	27.4	27.7

Table 19

## 10.5 Operational Flow diagrams

### 10.5.1 Central heating function



6 720 610 576 - 26.TD

Fig. 61

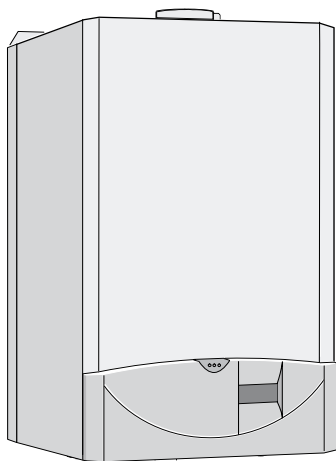
**EXCELLENCE COMES AS STANDARD**  
**Manufactured exclusively for British Gas by The Bosch Group**  
**Bosch Group, Worcester Heat Systems, Cotswold Way, Warndon, Worcester WR4 9SW.**  
**Telephone: (01905) 754624 Fax: (01905) 754619**



# Users Instructions and Customer Care Guide



RD 532i/RD 537i/RD 542i combi Condensing boiler  
RD 430i system Condensing boiler



6 720 610 598 - 00.20

**ZWBR 7-32 RD 532i** GC-Number: 47 108 10

**ZWBR 11-37 RD 537i** GC-Number: 47 108 11

**ZWBR 11-42 RD 542i** GC-Number: 47 108 12

**System boiler 7-30 RD 430i** GC-Number: 41 108 06

***benchmark***

6 720 610 604 GB (03.06) OSW

**British Gas** 

**Scottish Gas** 

## Contents

---

# Contents

---

<b>Excellence comes as standard</b>	<b>4</b>
<b>Safety precautions</b>	<b>5</b>
<b>1 General notes</b>	<b>7</b>
<b>2 Controls</b>	<b>11</b>
<b>3 Operating the Appliance</b>	<b>12</b>
3.1 Preparation	12
3.2 Switching the Appliance On/Off	14
3.3 Switching on the Central Heating	15
3.4 Controlling Central Heating	15
3.5 Combination Boilers: Setting Hot Water Temperature	16
3.6 System boiler with Storage Tank	17
3.7 Summer Mode, Hot Water Only (Combi Appliances)	18
3.8 Frost protection (Combi Appliances)	19
3.9 Fault Condition	19
<b>4 Text Display</b>	<b>20</b>
4.1 General Description	20
4.2 Programming	20
4.2.1 Deleting a setting	23
4.2.2 Resetting all parameters to their original settings	23
4.3 Menu structure	24
4.4 Setting the time/day	25
4.4.1 Setting the time and day	25
4.4.2 Holidays	25
4.5 Heating	27

4.5.1 Heating program	27
4.5.2 Setting the Economy temperature (if TR2 is connected)	28
4.5.3 Manual operating mode (if TR2 is not connected)	29
4.6 Hot water	30
4.6.1 Hot water program	31
4.6.2 Hot water immediately (System models)	31
4.7 i Info	32
4.8 Settings	33
4.8.1 Heating (if TR 2 is connected)	33
4.8.2 Hot Water (Storage Tank, System boiler models only)	33
4.8.3 Service	33
4.9 Individual timer programmes	36

---

<b>5 Fault finding</b>	<b>37</b>
------------------------	-----------

---

<b>6 Tips on saving energy</b>	<b>38</b>
--------------------------------	-----------

---

<b>7 General Information</b>	<b>39</b>
------------------------------	-----------

---

<b>8 Maintaining your appliance</b>	<b>40</b>
-------------------------------------	-----------

---

<b>9 Service</b>	<b>40</b>
------------------	-----------

---

<b>10 Fault or breakdown</b>	<b>41</b>
------------------------------	-----------

---

<b>11 Your guarantee</b>	<b>42</b>
--------------------------	-----------

---

<b>12 Guarantee registration</b>	<b>43</b>
----------------------------------	-----------

---

<b>13 Operating Instructions Quick Reference</b>	<b>44</b>
--	-----------

---

### Excellence comes as standard

Thank you for purchasing an RD 532i/RD 537i/RD 542i /RD 430i condensing appliance.

The RD 532i/RD 537i/RD 542i /RD 430i Series has been developed by the Bosch Group and the strictest quality control standards are demanded throughout every stage of production.

Indeed, the Bosch Group have led the field in innovative appliance design and performance for many years.

The result is that your new RD 532i/RD 537i/RD 542i /RD 430i appliance offers you the very best of everything – quality, efficiency, economical running costs, proven reliability and value for money.

What's more, you also have the assurance of our no nonsense 2 year parts and labour guarantee.

And it's backed up by British Gas - Offering a complete maintenance scheme to keep your boiler operating at peak condition and efficiency.

No wonder that more and more people are agreeing that when it is gas, it has to be a British Gas/Scottish Gas Condensing appliance.

#### Benchmark

The "Benchmark" initiative is the new code of practice to encourage the correct installation, commissioning and servicing of domestic central heating boilers and system equipment.

The "log-book" is a vital document that must be completed by the installer at the time of installation. It confirms that the boiler has been installed and commissioned according to the manufacturers instructions.

Without the completion of the "log-book", manufacturers may refuse to respond to a call-out from a householder, who will be advised that he or she must call back the installer, who has not fulfilled his obligations to record the information required by the initiative.

# Safety precautions

## Gas Safety (Installation and Use) Regulations 1998

It is the law that all gas appliances are installed by a competent person in accordance with the above regulations. Failure to install appliances correctly could lead to prosecution. It is in your interest, and that of safety, to ensure compliance with the law.

### If you smell gas:

- ▶ Turn off gas service cock at the meter.
- ▶ Open all doors and windows.
- ▶ Do not operate any electrical switches.
- ▶ Do not smoke.
- ▶ Extinguish any naked flames.
- ▶ Call your gas company.

### If you smell fumes from the appliance:

- ▶ Switch off appliance.
- ▶ Open windows and doors.
- ▶ Inform your heating engineer.

### Fitting and modifications

- ▶ Fitting of the appliance or any modifications to the appliance may only be carried out by a competent person.
- ▶ Flue systems must not be modified in any way.

### Maintenance

- ▶ We **recommend that you** take out a maintenance contract with a competent installer and have the appliance serviced at regular intervals.
- ▶ Ensure that your Service Engineer uses only genuine spare parts!

## **Safety precautions**

---

### **Combustible materials**

- ▶ Do not store or use any combustible materials (paper, thinners, paints etc.) in the vicinity of the appliance.

### **Health and safety**

- ▶ This appliance contains no asbestos products.
- ▶ There is no potential hazard due to the appliance being electrically unsafe.
- ▶ There are no substances used in the construction that are a potential hazard in relation to the COSHH Regulations (Control of Substances Hazardous to Health Regulations 1988).

### **Ventilation Air/Ambient Air**

- ▶ Keep ventilation air/ambient air free of corrosive substances (e. g. halogenated hydrocarbons which contain chlorine or fluorine compounds). In this way corrosion can be prevented.

# 1 General notes

To get the best from your appliance please read these instructions carefully.

## **Sealed heating systems**

The appliance is fitted to a sealed heating system which is pre-pressurised. Your installer will tell you of the minimum and maximum pressure which must be indicated on the pressure gauge.

Check regularly that the pressure is maintained and contact your installer or maintenance engineer if there is a permanent significant drop in the pressure. If the system loses pressure it should be repressurised and the cause of the fall investigated.

## **Central heating systems**

During the first few hours of operation of the central heating system, check that all radiators are being heated at an even rate. If the top of a radiator is at a lower temperature than the bottom then it should be vented by releasing air through the venting screw at the top of the radiator. Ask your installer to show you how this is done. Repeated venting will reduce the quantity of water in the system and this must be replenished for safe and satisfactory operation of the appliance.

Should water leaks be found in the system or excessive venting is required then a service engineer must be contacted to inspect the installation and rectify any fault.

Only additives that are compatible with aluminium may be used in the system. Any incompatible additive used will invalidate the guarantee.

## **Condensate drain**

This is a condensing appliance and the terminal will, at times, give out a plume of water vapour. This is quite normal.

The appliance produces quantities of condensate which is discharged regularly through the siphon.

## General notes

---

### Clearances

Your installer will have provided adequate space around the appliance for safety and servicing access. Do not restrict this space with the addition of cupboards, shelves etc. next to the appliance.

Left-hand side	10 mm
Right-hand side	10 mm
In Front	600 mm
Above Casing (Vert. Flue)	75 mm
Above Flue Turret	30 mm
Below	200 mm

Table 1

### Room thermostat

A room temperature controller is may be fitted to control the central heating. Refer to the instructions supplied with the thermostat for information on siting and setting.

### Cylinder thermostat - System boilers

The cylinder thermostat should be set to 60°C which will be satisfactory for bathing/washing in normal circumstances.

### Thermostatic radiator valves

It is recommended that this type of valve is fitted to all the radiators except one, usually the radiator where the room temperature controller is fitted. They should conform to the requirements of BS2767:10.

### Showers, bidets, taps and mixing valves – Combination Boilers

Standard hot and cold taps and mixing valves must be suitable for operating at mains pressure. Thermostatically controlled or pressure equalising shower valves will guard against the flow of water at too high a temperature.

Hot and cold mains fed water can be supplied directly to an over-rim flushing bidet subject to local water company requirements.



With all mains fed systems the flow of water from individual taps will vary with the number of outlets operated simultaneously and the cold water mains supply pressure to the property.

Flow balancing using “ball-o-fix” type valves is recommended to avoid an excessive reduction in flow to individual outlets.

For further information contact British Gas Technical Services Department.

### **Hot and cold flow – Combination Boilers**

The flow of water demanded from both hot and cold service outlets is dependent upon the mains supply, it may not be possible in some installations to operate all outlets simultaneously.

### **Water mains failure – Combination Boilers**

If there is a failure of the mains water supply then no water will be available at a tap or shower until the mains supply is restored. The appliance will still operate in the central heating mode.

### **Use in hard water areas – Combination Boilers**

In exceptionally hard water areas a device to prevent scale formation may be fitted. Installation of a scale inhibitor assembly should be in accordance with the requirements of the local water company. An isolating valve should be fitted to allow for servicing.

Alternatively the maximum temperature of the domestic hot water may be reset to about 45 °C which will reduce the risk of scale formation in these hard water areas.

### **Ventilation**

This is a room sealed appliance and does not require any air for combustion from inside the house. If the appliance is fitted into a cupboard or a compartment is built around the appliance after installation then the compartment must be separated from the boiler space by a perforated non-combustible partition as described in BS 6798.

Notwithstanding the requirements of BS 6798, there is no need for ventilation openings to be provided in the compartment because of the low heat loss from the casing.

## **General notes**

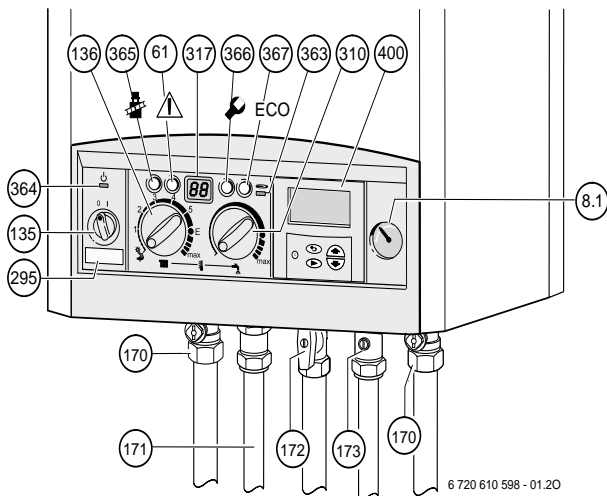
---

Do not allow the flue terminal fitted on the outside wall to become obstructed or damaged.

### **Pump**

The pump is a fully modulating type to which the parameters have been set by the manufacturer and must not be adjusted.

## 2 Controls



6 720 610 598 - 01.20

**Fig. 1**

- 8.1** System Pressure gauge
- 61** Reset button
- 135** Master switch
- 136** Central heating temperature control
- 170** Service valves in CH flow and return
- 171** Hot water
- 172** Gas isolation valve (open)
- 173** Cold water inlet
- 295** Identification sticker
- 310** Hot water temperature control
- 317** Display
- 363** Indicator lamp for "burner on"
- 364** Indicator lamp for "off/on"
- 365** "Chimney sweep" button
- 366** Service button
- 367** "ECO" button
- 400** Text Display

### 3 Operating the Appliance

#### 3.1 Preparation

Turn on the gas cock (172).

- ▶ Press in the handle and turn it anti-clockwise as far as the stop (when handle is in line with direction of flow, the cock is open).

#### Central heating system valves (170)

- ▶ Using a spanner, turn square nut until groove is in line with direction of flow (see detail).  
Groove at right angles to direction of flow = off.

#### Cold water inlet valve (173)

- ▶ Turn handle so that it is in line with direction of flow.  
When handle is at right angles to direction of flow, the valve is closed.

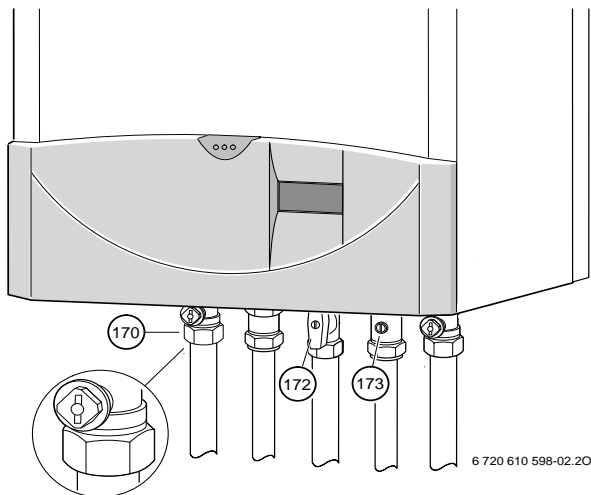


Fig. 2

### Check the central heating system pressure

- ▶ The pointer on the pressure gauge (8.1) should be about 1 bar.
- ▶ If the pointer is below 1 bar (when the system is cold), top up the system with water until the pointer is 1 bar. Your installer will have shown you how to do this.
- ▶ The **maximum operating pressure** of 2.5 bar at maximum central heating flow temperature must not be exceeded. If the pressure increases to 3 bar then the relief valve (15) opens.

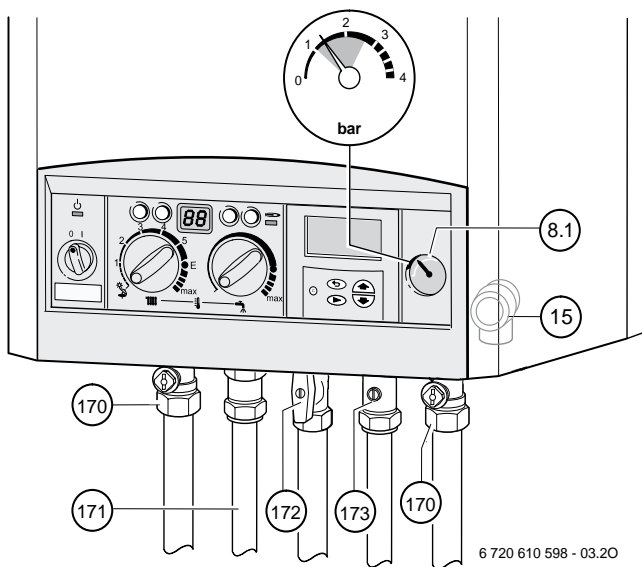
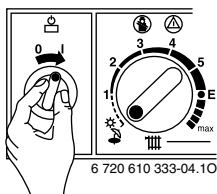


Fig. 3

### 3.2 Switching the Appliance On/Off

#### Switching on

- ▶ Switch on the appliance at the master switch (I).  
The indicator lamp shows green and the display will show the central heating flow temperature, when the appliance is operating in the central heating mode.



**Fig. 4**



If the display alternates between **-II-** and the central heating flow temperature, the trap filling programme is active.


---

The trap filling programme ensures that the condensation trap is filled after the appliance has been installed or after the appliance has been out of use for a long period. For that reason, the appliance remains at minimum heating output for 15 minutes.

#### Switching off

- ▶ Switch off the appliance at the master switch (0).  
The green indicator lamp goes out. The optional timer will continue running until the emergency supply is exhausted.

### 3.3 Switching on the Central Heating

- ▶ Turn the central heating temperature control  to the desired level:
  - “Min” setting: 35°C
  - Low-temperature heating: setting “E” (approx. 75°C)
  - “Max” setting: 88°C

When the burner is lit, the **red** indicator lamp is illuminated.

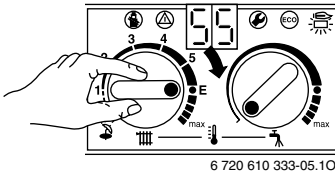



Fig. 5

### 3.4 Controlling Central Heating

- ▶ Set the timer to the correct time.
- ▶ Set room thermostat to the desired room temperature.
- ▶ Set temperature driven control unit, if fitted. Refer to the instructions with the control.
- ▶ Set the thermostatic radiator valves to the desired settings.

### 3.5 Combination Boilers: Setting the Hot Water Temperature

#### Hot water temperature

On combi models, the hot water temperature can be set to between approx. 40°C and 60°C using the temperature control .

The domestic hot water temperature is not shown on the display.

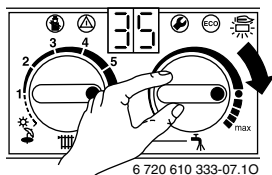


Fig. 6

Control Setting	Water Temperature
Anti-clockwise limit	approx. 40°C
●	approx. 55°C
Clockwise limit	approx. 60°C

Table 2

#### “ECO” button

By pressing and holding the “ECO” button , until the display lights, you can switch between **Comfort mode** and **Economy mode**.

#### Comfort mode: button is not lit (factory setting)

The appliance is held constantly at the set temperature. This means that hot water is available almost instantaneously at the tap. Consequently the appliance will switch on at intervals, even if no hot water is being drawn.



### ECO mode with demand detection, button is lit

The demand detection function enables maximum gas and water economy.

Briefly turning a hot water tap on and then off again signals demand to the appliance which then heats up the water to the set temperature.

Hot water is thus available in about 1 minute.

### ECO mode, button is lit

Water is not heated up until hot water is drawn. This means that there is a longer waiting period before hot water is available.


## 3.6 System boiler with Storage Tank

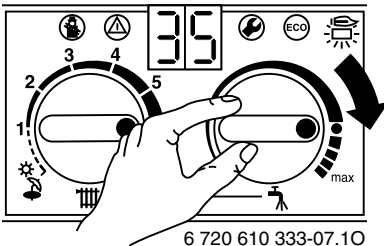


- ▶ Do not set the temperature higher than 60°C for normal operation.
- ▶ Only use temperatures of up to 70°C temporarily for thermal disinfection purposes.



With the text display you can additionally set hot water charging times or times and temperatures.

- ▶ Set the hot water temperature by means of the temperature control  on the appliance.



6 720 610 333-07.10

Fig. 7


## Operating the Appliance

---

Control Setting	Water Temperature
Anti-clockwise limit	approx. 10°C (frost protection)
I	approx. 60°C
Clockwise limit	approx. 70°C

Table 3

### ECO button

Pressing and holding the ECO button , until it lights up switches from **Comfort mode** to **ECO-mode**.

#### **Comfort mode, ECO button is not lit (factory setting)**


In Comfort mode the hot water tank has priority. The hot water cylinder is first heated up to the set temperature. The appliance then switches to central heating mode.

#### **ECO mode, button is lit**

In ECO mode the appliance switches between central heating mode and cylinder charging mode every 12 minutes.

## 3.7 Summer Mode, Hot Water Only (Combi Appliances)

### With room temperature controller

- ▶ Turn temperature control  on the appliance anti-clockwise as far as the stop.  
The central heating is now turned off. The hot water function and the mains power supply for the heating programmer and timer remain switched on.

### 3.8 Frost protection (Combi Appliances)

- ▶ Leave master switch switched on.


If the appliance is to be left for long periods switch the central heating on and set the room temperature controller at 6°C.

- ▶ Add a suitable anti-freeze fluid to the water in the central heating system.


Suitable products are available from Betz-Dearborn Tel.: 0151 4209563, Fernox Tel.: 01799 550811 and Salamander Tel.: 0121 378 0952.

### 3.9 Fault Condition

In the unlikely event of a fault occurring while the appliance is in operation:

The display and the text display then shows a fault code and the button  may also flash.

If the button  flashes:

- ▶ Press and hold the button  until the display shows “- -”.  
The appliance will then start up again and the display will show the central heating flow temperature.

If the button  does not flash:

- ▶ Switch the appliance off and then on again at the master switch.  
The appliance will start up again and the central heating flow temperature will be displayed.

If the fault remains and can not be cleared:

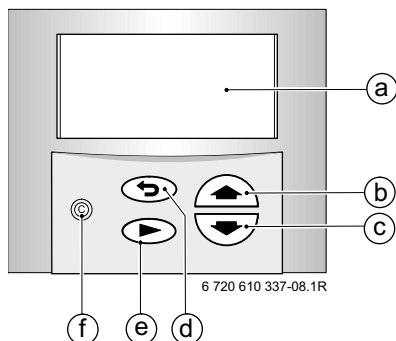
- ▶ Call British Gas for assistance, giving a description of the fault and, if possible, the fault code from the facia display.

# 4 Text Display

## 4.1 General Description

- The text display is used to display information about the appliance and the system and to alter the settings displayed.
- Once the appliance has been in operation for one day, the text display module has a power buffer period of about 10 hours during which it will run without the mains power supply. After that period has elapsed, the clock function shuts down but all other settings are retained.

## 4.2 Programming



**Fig. 8 Controls**

- a** Display
- b** "Up"/"More" button
- c** "Down"/"Less" button
- d** "Back" button
- e** "Next" button
- f** "Delete" button

The standard display shows the following information:

- Time
- Room temperature (if TR 2 connected)
- CH flow temperature


- Domestic Hot Water temperature (System boiler if a Storage Tank is accorded).

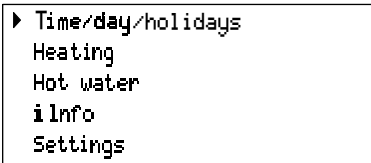
Additional indication if a special programme is active:

- x holidays
- Hot water immediately
- Constant on (comfort, if TR2 is not connected)
- Constant off (economy, if TR2 is not connected).

Other special operating modes may be displayed during commissioning, servicing, etc.

The programming procedure is described in detail below **using the clock** function as an example:



- ▶ To start programming, press any button, e. g. . The display lighting switches on and the main menu is displayed:



```
▶ Time/day/holidays
Heating
Hot water
i l n f o
Settings
```


6 720 610 598-04.20

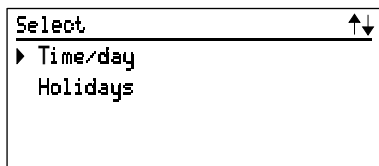
**Fig. 9** *Main menu*

- ▶ Use the  or  button to move the cursor arrow on the left of the menu so that it points to the desired menu item. In this example, the cursor is positioned next to the menu item **Time/day/holidays**.

## Text Display

---




- ▶ Confirm the selection by pressing the  button.  
The corresponding submenu is displayed:

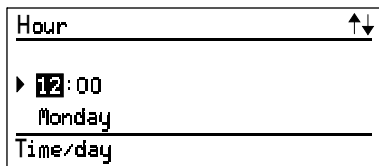


6 720 610 598-05.20

**Fig. 10 Submenu: Time/day**

In the submenus, the top line indicates what action is required. The bottom line shows the previous menu level, if applicable (see Fig. 10).




- ▶ Use the  or  button to select **Time/day**.
- ▶ Confirm the selection by pressing the  button.  
The corresponding submenu is displayed:









6 720 610 598-06.20


**Fig. 11 Setting the hour**

When settings are being entered, the setting to be altered is indicated on the top line. In addition, the setting being altered is displayed with a dark background.

- ▶ Use the  or  button to set the hour.
  - Press and release to change the display by one unit at a time
  - Press and hold to change the display rapidly
- ▶ Confirm the setting by pressing the  button.

- ▶ Use the  or  button to set the minutes.
- ▶ Confirm the setting by pressing the  button.
- ▶ Use the  or  button to set the day of the week.
- ▶ Press the  button to confirm the setting. The cursor then returns to the top line.


-or-


- ▶ Press the  button to confirm the setting and return to the previous menu (Fig. 9 page 22).

-or-

- ▶ Do not press any other buttons for 15 minutes.

### 4.2.1 Deleting a setting

Either overwrite the setting or press the  button to delete it.

- ▶ Find the setting to be deleted.
- ▶ Press and release the  button.  
The display shows --:--


### 4.2.2 Resetting all parameters to their original settings

---



The hours of service can not be reset to 0.

---

- ▶ Press and hold the  button for more than 15 seconds. After about 5 seconds, the following message appears on the display:

**ATTENTION**

**Delete all parameters**

**in x seconds**

Once the reset has been completed, the following message is displayed:

**Please wait.. Initialising**

### 4.3 Menu structure

Main menu	Submenu			Parameters to change/select	Page
	1.	2.	3.		
Time/day/holidays	Time/day	-	-	- Hours - Minutes - Day of week	25
	Holidays	-	-	Days holiday	25
Heating	Heating program	-	-	- Day - 1st operating mode - 1st switching point ... - 6th switching point	27
	Set economy temp. (if TR2 is connected)	-	-	5...30°C	28
	Manual (if TR2 is not connected)	-	-	- Automatic - Constant on (comfort) - Constant off (economy)	29
Hot water	Hot water program	-	-	- Day - 1st operating mode - 1st switching point ... - 6th switching point	31
	Hot water immediately	-	-	Off/On	31
Info	-	-	-	-	32



Main menu	Submenu			Parameters to change/select	Page	
	1.	2.	3.			
Settings	Heating	-	-	Optimum Start Off/On	33	
	Hot water (System boiler-models)	-	-	Only charging times/times and temperatures	30	
	Service	Display service param.	-	-	-	33
		Further options		Language	-English/ -Français/ -Deutsch	34
	-Time correction			34		
	-LCD contrast			34		
	Operating times			-	34	
Fault history	-	-	-	35		

## 4.4 Setting the time/day

### 4.4.1 Setting the time and day

For details of how to set the time and day, refer to page 21.





#### Changing winter and summer time:

- ▶ Only adjust the clock! Do not alter the switching points (for heating, economy, etc.).

### 4.4.2 Holidays

In the Holiday programme, the central heating runs in Economy mode and the hot water is switched off (frost protection function remains active).

- ▶ From the main menu, select **Time/day/holidays**, and from the first submenu select **Holidays**.
- ▶ Enter the number of days holiday by pressing  or  (max. 99 days holiday).  
After the set number of days, the text display module automat-

## Text Display

---

ically cancels Economy mode at midnight on the last day and returns to Automatic mode.

---




The day on which you enter the days holiday counts as the first day of the holiday, i.e. the unit starts the holiday program immediately. Only include the day on which you are returning if you **don't** want the heating to return to the normal program on that day!

---

To cancel Holiday mode early:

- ▶ In the **Holidays** submenu:

Press the  button until the display shows **0** .

## **4.5 Heating**

### **4.5.1 Heating program**

#### **Basic setting (Automatic mode)**

- The appliance switches automatically between normal heating, Economy mode and Frost protection mode according to the timer settings entered.
- Basic setting:
  - Heating starts at 6:00 am
  - Economy starts at 10:00 pm

#### **Setting options**




- Maximum of six switching points per day with three different operating modes (Heating, Economy, Frost protection).
- Same times for Monday to Friday.
- Same times for Saturday and Sunday.
- Different times for every day.

#### **Setting switching times and operating mode**

- ▶ From the main menu select **Heating** and then from the first submenu, select **Heating program**.
- ▶ Select **Monday - Friday**, Saturday and Sunday or an individual day of the week.
  - **Monday - Friday**: to have “Heating” and “Economy” or “Frost protection” switching on at the same times every weekday.
  - **Saturday - Sunday**: to have “Heating” and “Economy” or “Frost protection” switching on at the same times Saturday and Sunday.
  - Individual day of the week (e. g. **Thursday**): to have the relevant program always switching on at the specified time on that day of the week, i.e. “Heating”, “Economy” or “Frost protection” at the same time every Thursday.

## Text Display


---

- ▶ Press . The display shows **Set 1. operating mode.**
- ▶ Set the desired first operating mode (Heating, Economy or Frost protection).
- ▶ Press . The display shows **Set 1. time period.**
- ▶ Set the desired first time period.
- ▶ Press . Set the following operating modes and time periods as described for the first.
- ▶ If necessary: select the next day and enter the operating modes and timer periods as described above.



If the settings for a particular day of the week are different from the settings for the other days, then if **Monday -Friday or Saturday and Sunday** is selected, the display shows **--:--**, i.e. there are no common switching points for those options.



---

Timer periods and operating modes are you do not wish to change can be skipped by pressing .

### 4.5.2 Setting the Economy temperature (if TR2 is connected)

This option allows you to set the room temperature for Economy mode (**Off (Economy)**).

This function is only active if:

- Automatic mode or Economy mode is set on the TR 2 room thermostat.
- ▶ From the main menu, select **Heating** and then from the first submenu, select **Set Economy temp..**
- ▶ Use the  or  button to set a temperature between 5 and 30 °C.

### 4.5.3 Manual operating mode (if TR2 is not connected)

For selecting an operating mode that is different from the one set in the heating programme (**Automatic mode**).

- You can choose between **Automatic**, **Constant on (comfort)** and **Constant off (economy)**.
- The manually selected operating mode starts immediately.
- Constant off (economy) and Constant on (comfort) are automatically reset at 00.00 (midnight).
- To cancel the manually selected operating mode:
  - select the relevant menu and then press the **C** button,
  - or select a different operating mode,
  - or set **Holiday**.
- ▶ From the main menu select **Heating** and then from the first submenu **Manual** select required mode.

### 4.6 Hot water



#### General description

- **Combi models only:** The basic settings provide a straightforward timer programme: enabled from 5:00 am, disabled from 10:00 pm. The ECO button must not be lit (Comfort mode).
- **System** models (with Storage Tank): The basic settings provide a timer programme: enable from 5:00 am, disable from 10:00 pm. With the menu **Hot water** (see page 33) you can choose a timer-/temperature programme with the basic settings: 60°C from 5:00 am, 10°C from 10:00 pm.

### 4.6.1 Hot water program

- Up to six switching points per day can be set.
- There are two operating modes: Blocked and Released.
- ▶ From the main menu, select **Hot water** and then from the first submenu, select **Hot water program**.
- ▶ Set the days of the week, Blocked/Released (operating mode) in the same way as for the switching points and modes for heating as described on page 27.

### 4.6.2 Hot water immediately (System models)

- **Hot water immediately ON:**
  - Comfort mode is active for 2 hours.
- **Comfort mode is active for 2 hours:** normal automatic program (Hot water mode according to timer programme entered).
- ▶ From the main menu, select **Hot water** and then from the first submenu, select **Hot water immediately**.
- ▶ Press  or  to switch **Hot water immediately** on or off.

### 4.7 i Info

- ▶ Select **Info** from the main menu.

You can view the following information:



Display text	Description
<b>Room temperature</b> (if TR 2 connected)	Current temperature in the room where TR 2 is installed
<b>Required room temperature</b> (if TR 2 connected)	Required temperature in room where TR 2 is installed
<b>Operating mode</b> (if TR 2 connected)	E. g. Heating, Economy in Automatic mode or Economy, Heating, Frost protection in manual mode
<b>Max. flow temp.</b>	Maximum CH flow temperature set on the temperature control for CH flow
<b>Actual flow temp.</b>	Actual CH flow temperature
<b>Required flow temp.</b>	Required CH flow temperature
<b>Max HW temp.</b>	Maximum permissible hot water outflow temperature
<b>Required HW temp.</b>	Required hot water temperature
<b>Actual HW temp.</b>	Actual hot water outflow temperature
<b>Storage Tank charge released or blocked</b>	Shows, if hot water is released or blocked
<b>Storage Tank charge on or off or Storage Tank charge afterrunning</b>	Shows, if hot water is on or off, or if the pump for the Storage Tank after-running is on
<b>Boiler operat. mode winter/ summer</b>	Indicates which mode the CH flow temperature control is set to
<b>Burner on/off</b>	Indicates whether the burner is alight or not
<b>Pump on/off</b>	Indicates whether the integral pump is switched on or off



## 4.8 Settings



### 4.8.1 Heating (if TR 2 is connected)

#### Optimum Start


- ▶ From the main menu, select **Settings** and from the first sub-menu, select **Heating**.
- ▶ Press  or  to switch Optimum Start on or off.

### 4.8.2 Hot Water (Storage Tank, System boiler models only)

The text display can control the hot water either with **Times and temperatures** or **only times**.

- **Times and temperatures:** One can choose up to six different times with temperatures, see page 30 “Hot water”.
- **Only times:** During that times the Storage Tank will be charged to the choosed temperature.
- ▶ From the main menu, select **Settings** and from the first sub-menu select **hot water**.
- ▶ Press  or  to switch Times and temperatures or **only times**.



Turn the hot water temperature control  always higher than the temperature at the text display is choosen.

### 4.8.3 Service

#### Displaying service functions

This option displays various current settings and statuses of the electrically controlled appliance and system components for the benefit of the heating engineer.



## Text Display

---

### Service parameters

#### Language







Available languages are: English, Français (French), Deutsch (German).

- ▶ From the main menu, select **Settings**, from the first submenu select **Service**, from the Second submenu select **Further options**, and from the third submenu select **Language**.
- ▶ Press  or  to select the desired language.

Two other supplementary functions can be selected from the third submenu Language:







- Time correction
- LCD contrast.

#### Time correction:

- ▶ Press and hold the  button (about 5 seconds) until the display shows **Time correction and LCD contrast**.
- ▶ Press  or  to select **Time correction**.
- ▶ Press the  button. The display shows **Change value**.
- ▶ Press  or  to set the number of seconds in 24 hours.

Basic setting: “+ 0 s”

#### LCD contrast:

- ▶ Press and hold the  button (about 5 seconds) until the display shows **Time correction and LCD contrast**.
- ▶ Press  or  to select **LCD contrast**.
- ▶ Press the  button. The display shows **Change value**.
- ▶ Press  or  to adjust the **LCD contrast**.

Basic setting: e. g. “47”

#### Operating times

This option shows the hours of service (appliance, burner and hot

water) since commissioning.

- ▶ From the main menu, select **Settings**, from the first submenu select **Service**, from the Second submenu select **Further options**, and from the third submenu select **Operating times**.

### Fault history

This option displays any faults that have occurred for the information of the service engineer. The first fault displayed may still be active. Any other faults displayed are no longer active.

- ▶ From the main menu, select **Settings**, from the first submenu select **Service**, from the Second submenu select **Further options**, and from the third submenu select **Fault history**.

## 4.9 Individual timer programmes

Heating periods for central heating												
Switching point	1.		2.		3.		4.		5.		6.	
Status	Operating mode	Time	Operating mode	Time	Operating mode	Time	Operating mode	Time	Operating mode	Time	Operating mode	Time
Monday												
Tuesday												
Wednesday												
Thursday												
Friday												
Saturday												
Sunday												

Enable/disable hot water function												
Switching point	1.		2.		3.		4.		5.		6.	
Status	Operating mode	Time	Operating mode	Time	Operating mode	Time	Operating mode	Time	Operating mode	Time	Operating mode	Time
Monday												
Tuesday												
Wednesday												
Thursday												
Friday												
Saturday												
Sunday												

## 5 Fault finding

<b>Problem</b>	<b>Cause</b>	<b>Remedy</b>
Desired room temperature is not reached	Thermostatic valve(s) set too low	Increase thermostatic valve setting(s)
	Temperature control for CH flow set too low	Increase CH flow temperature control setting
	Air trapped in heating system	Bleed radiators and heating system
Desired room temperature exceeded by large amount	Radiators are too hot	Turn down thermostatic valves
Temperature rises instead of falling	Clock is incorrectly set	Check setting
Room temperature too high in Economy mode	Building retains heat well	Start Economy mode sooner
No display or display unit does not respond	Momentary power failure	Switch off appliance at master switch, wait a few seconds and switch on again
Storage Tank doesn't warm up	Temperature control is too low	Turn the temperature control to the desired temperature

# 6 Tips on saving energy

### Heating economically

The boiler is designed to provide a high level of comfort while keeping gas consumption and the resulting environmental effect as low as possible. The gas supply to the burner is controlled according to the level of demand for heat. The boiler continues to operate with a low flame if the demand for heat reduces. The technical term for this process is modulating control. Modulating control keeps temperature fluctuations small and provides even distribution of heat throughout the home. This means that the boiler may stay on for relatively long periods but will use less gas than an appliance that continually switches on and off.

### Central heating systems with room thermostats/thermostatic radiator valves

The central heating control on the boiler should be set to the maximum rated temperature of the central heating system or to position "E", when the maximum central heating water temperature obtained is 75°C.

The temperature can be set individually in each room (except primary room with the room thermostat) using the thermostatic radiator valves. If you wish to have a lower temperature in the primary room than in the other rooms, leave the room thermostat at the set temperature and turn down the radiator using the radiator valve.

### Reduced-output operation

Considerable fuel savings can be made by slightly reducing the room temperature. Lowering the temperature by 1 °C can bring about energy savings of up to 5 %. However, it is not advisable to allow any room temperature to fall below +15 °C. The room temperature for reduced-output mode can be set separately on the room thermostat. Instructions are given in the control unit operating instructions.

### Hot water

A lower setting on the hot water temperature control can result in considerable energy savings.

For combi appliances:

The **on-demand activation** using the ECO-button makes possible the maximum savings of gas and water.

Now you know how to heat your home economically with the RD 532i/RD 537i/RD 542i /RD 430i gas condensing boiler. If you have any other questions, please contact your installer – or write to us.

## 7 General Information

### Cleaning the Outer Case

Wipe down the outer case with a damp cloth. Do not use abrasive or caustic cleaning agents.

### Appliance details

If you ever need to call Customer Service it helps us a great deal if you can provide precise details of your appliance.

The information is printed on the appliance identification plate/ sticker (see page 11, item 295).

Your installer will have completed the Benchmark “log-book” giving details of the boiler together with name, address and registration number. Have the “log-book” to hand when calling a Service Engineer.

### 8 Maintaining your appliance

Your new RD 532i/RD 537i/RD 542i /RD 430i gas-fired appliance represents a long-term investment in a reliable, high quality product.

In order to realise its maximum working life, and to ensure it continues to operate at peak efficiency and performance, it is essential that your boiler receives regular, competent servicing and maintenance checks beyond the initial 2 year guarantee period.

To arrange for a British Gas three star cover agreement please call 0845 9 60 50 40.

### 9 Service

If your RD 532i/RD 537i/RD 542i /RD 430i appliance should fail to operate correctly or requires servicing please call British Gas on: 0845 9 60 50 40.



## **10 Fault or breakdown**

This product is supported in the UK by Worcester Heat Systems Ltd. – part of the Bosch Group.

A specialist factory trained field SERVICE ENGINEER is available to attend a breakdown or manufacturing fault occurring on this appliance.

**No charge will be made for parts and/or labour providing:**

- An appliance fault is found and the appliance has been installed within the past 24 months. Reasonable evidence of this must be supplied on request.

**A call-out charge will be made where:**

- The appliance has been installed for over 24 months.  
**OR**
- Our Field Service Engineer finds no fault with the appliance (see **NOTE**).  
**OR**
- The cause of breakdown is misuse or with other parts of your plumbing/heating system, or with equipment not supplied by Worcester.

**NOTE:** No appliance fault is found on over 30 % of all service call outs.

If in doubt contact our British Gas on 0845 9 60 50 40.

**IN THE EVENT OF AN APPLIANCE FAULT OR BREAKDOWN**

please contact your Service Centre (see over). Your service administrator will arrange for an engineer to call with the minimum of delay; under normal circumstances this will be within the period 1-3 working days (excluding weekends) for priority breakdown situations (no hot water and/or heating service).

**INVOICES FOR ATTENDANCE AND REPAIR WORK CARRIED OUT ON THIS APPLIANCE BY ANY THIRD PARTY WILL NOT BE ACCEPTED.**

---

## 11 Your guarantee

This appliance is guaranteed against faulty material or workmanship for a period of 24 calendar months from the date of installation subject to the following conditions and exceptions.

- That during the currency of this guarantee any components of the unit which are proved to be faulty or defective in manufacture will be exchanged or repaired free of material charges and free of labour charges by Worcester Heat Systems Limited.
- That the householder may be asked to prove the date of installation, that the appliance was correctly commissioned and, where appropriate, the first 2 year service has been carried out to the satisfaction of Worcester Heat Systems Limited when requested.
- That any product or part thereof returned for servicing under the guarantee any components of the unit which are proved to be faulty guarantee must be accompanied by a claim stating the Model, Serial Number, Date of Installation.
- That Worcester Heat Systems Limited will not accept responsibility for damage caused by faulty installation, neglect, misuse or accidental damage, the non observance of the instructions contained in the Installation and Users Instructions Leaflets.
- That the appliance has been used only for normal domestic purposes for which it was designed.
- That this guarantee applies only to equipment purchased and used in Great Britain.

This guarantee is given in addition to all your normal statutory rights.

## **12 Guarantee registration**

You should complete and return the postpaid Guarantee Registration Card within 14 days of purchase.

The card will register you as the owner of your new RD 532i/RD 537i/RD 542i /RD 430i appliance and will assist us in maintaining an effective and efficient customer service by establishing a reference and permanent record for your boiler.

This will not affect your statutory rights in any way.

### **Important:**

For your own record:

Model

.....

Serial number:.....

(See identity label inside appliance casing)

Type/size:.....

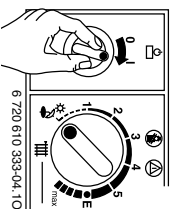
Date of installation:.....

**Check** that the Benchmark “log-book” has been completed by your installer or service engineer.

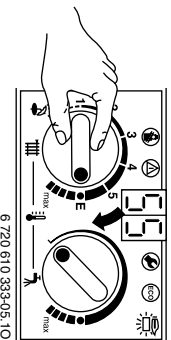
SERIAL NUMBER. Copy the number off the Guarantee Card.

# 13 Operating Instructions Quick Reference

## Switching on



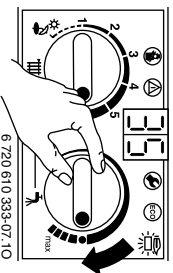
## Switching the central heating on



## Text Display

Set switching times and operating mode within the text display.

## Hot water temperature – Combination boiler only



## “ECO”-button lit –

Economy mode.

## “ECO”-button not lit –

Comfort mode

## Fault Condition

Refer to page 19.

## Switching off

